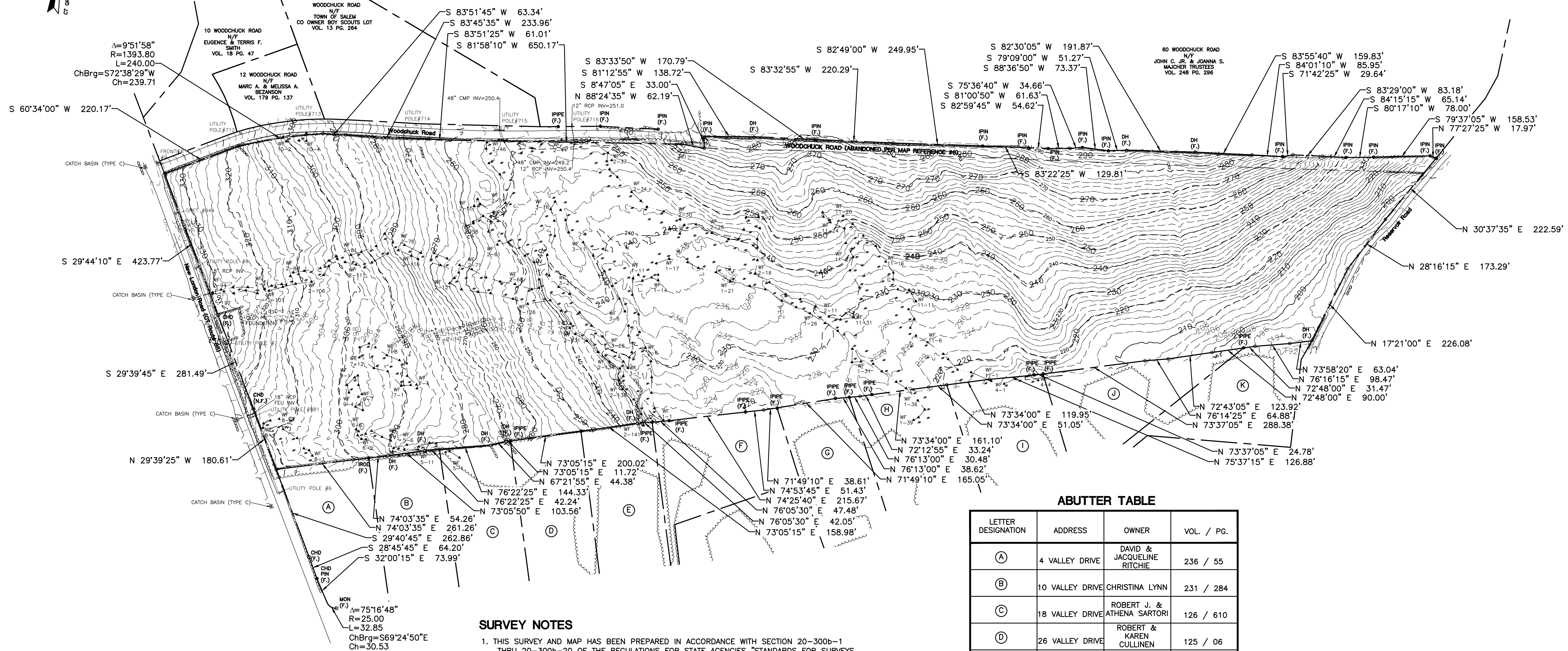
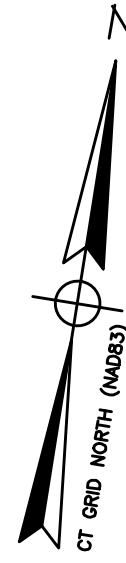




**MAP REFERENCES**

- "PLAN OF THE SANSOM FARM SUBDIVISION PROPERTY OF DAVID & LOIS WORDELL" NEW LONDON ROAD (CONN ROUTE 85) SALEM, CONNECTICUT DATE: 03/12/89 SCALE: 1"=40' PREPARED BY: KING & MULLEN LAND SURVEYORS
- "LOT LAYOUT PLAN SILVER VALLEY SUBDIVISION PROPERTY OF ROGER L. & LINDA F. PHILLIPS" (CONN ROUTE 85) SALEM, CONNECTICUT DATE: DECEMBER 1983 SCALE: 1"=100' PREPARED BY ROLAND J. HARRIS LAND SURVEYORS
- "CONNECTICUT STATE HIGHWAY DEPARTMENT RIGHT OF WAY MAP TOWN OF SALEM HARTFORD-NEW LONDON ROAD FROM THE MONTVILLE TOWN LINE NORTHERLY TO NORWICH-HADLYME ROAD ROUTE 85 DATE: 04/14/32 SCALE: 1"=40' SHEET NO. 1 & 2 OF 4
- "PLAN OF PROPERTY OWNED BY FERDINAND L. & BERTHA M. DRABIK" ROUTE 85 & WOODCHUCK ROAD SALEM, CONNECTICUT DATE: JUNE 1973 SCALE: 1"=100'
- "PLAN OF TRACT OF LAND TO BE CONVEYED BY FREDERICK C. RAWOLLE EST." TOWN OF SALEM, CONNECTICUT DATE: APRIL 1955 SCALE: 1"=600' PREPARED BY: ERNEST L. DESHEFY
- "PLAN SHOWING PROPERTY OF ARCHIBALD HOVANESIAN, JR." WOODCHUCK ROAD ALSO KNOW AS HILLTOP ROAD SALEM, CONNECTICUT DATE: SEPTEMBER 1980 SCALE: 1"=100' SHEET NO. 1 & 2 PREPARED BY: DICESARE-BENTLEY ENGINEERS, INC.



**ABUTTER TABLE**

LETTER DESIGNATION	ADDRESS	OWNER	VOL. / PG.
(A)	4 VALLEY DRIVE	DAVID & JACQUELINE RITCHIE	236 / 55
(B)	10 VALLEY DRIVE	CHRISTINA LYNN	231 / 284
(C)	18 VALLEY DRIVE	ROBERT J. & ATHENA SARTORI	126 / 610
(D)	26 VALLEY DRIVE	ROBERT & KAREN CULLINEN	125 / 06
(E)	34 VALLEY DRIVE	SARAH ANN & BRENT SULLIVAN ALI	274 / 414
(F)	40 VALLEY DRIVE	TIMOTHY W. & KAREN FRICK	82 / 531
(G)	62 VALLEY DRIVE	BRITTANY NICOLE TINO	273 / 85
(H)	70 VALLEY DRIVE	MARK R. NELSON	233 / 30
(I)	82 VALLEY DRIVE	JAMES R. III & KRISTI L. MORRISON	249 / 166
(J)	90 VALLEY DRIVE	JASON S. MACKLIN & KIM M. HARGRAVE	247 / 655
(K)	92 VALLEY DRIVE	DEBORAH A. & DANIEL E. SHEEHAN	252 / 478

**SURVEY NOTES**

- THIS SURVEY AND MAP HAS BEEN PREPARED IN ACCORDANCE WITH SECTION 20-300b-1 THRU 20-300b-20 OF THE REGULATIONS FOR STATE AGENCIES "STANDARDS FOR SURVEYS AND MAPS IN THE STATE OF CONNECTICUT" AS ENDORSED BY THE CONNECTICUT ASSOCIATION OF LAND SURVEYORS, INC.
  - A. TYPE OF SURVEY: BOUNDARY & TOPOGRAPHIC SURVEY
  - B. BOUNDARY DETERMINATION CATEGORY: RESURVEY
  - C. HORIZONTAL ACCURACY: A-2
  - VERTICAL ACCURACY: N/A
  - TOPOGRAPHIC ACCURACY: T-D
  - D. INTENT: TO DEPICT THE PROPERTY BOUNDARY COMPLIED WITH LIDAR DATA FOR DESIGN PURPOSES FOR THE SUBJECT PARCEL
- HORIZONTAL ORIENTATION IS CT N.A.D 83 BASED ON FIELD GPS OBSERVATIONS
- VERTICAL DATUM IS N.A.V.D 88 FOR CONTOURS AND ALL OTHER ELEVATIONS DEPICTED
- CONTOURS WERE COMPILED FROM STATE PROVIDED LIDAR DATA AND WERE NOT FIELD VERIFIED
- LOT AREA = 2,352,235.77 SF OR 54.0 ACRES AND IS LOCATED IN THE RU-A ZONING DISTRICT
- A PRINT OR MYLAR OF THIS MAP IS NOT VALID UNLESS IT CONTAINS THE SEAL AND LIVE SIGNATURE OF THE SURVEYOR

I HAVE REVIEWED THE WETLANDS ON THE PROPERTY IN THE FIELD AND HAVE REVIEWED THE WETLANDS AS SHOWN ON THE PLAN AND FIND THAT THEY SUBSTANTIALLY REPRESENT THE WETLANDS AS DELINEATED IN THE FIELD.

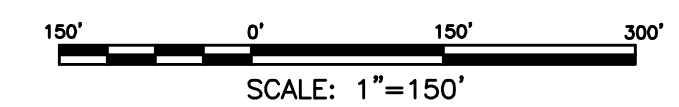
TO MY KNOWLEDGE AND BELIEF THIS PLAN IS SUBSTANTIALLY CORRECT AS NOTED OR DEPICTED HEREON.

ROBERT C. RUSSO  
CERTIFIED SOIL SCIENTIST

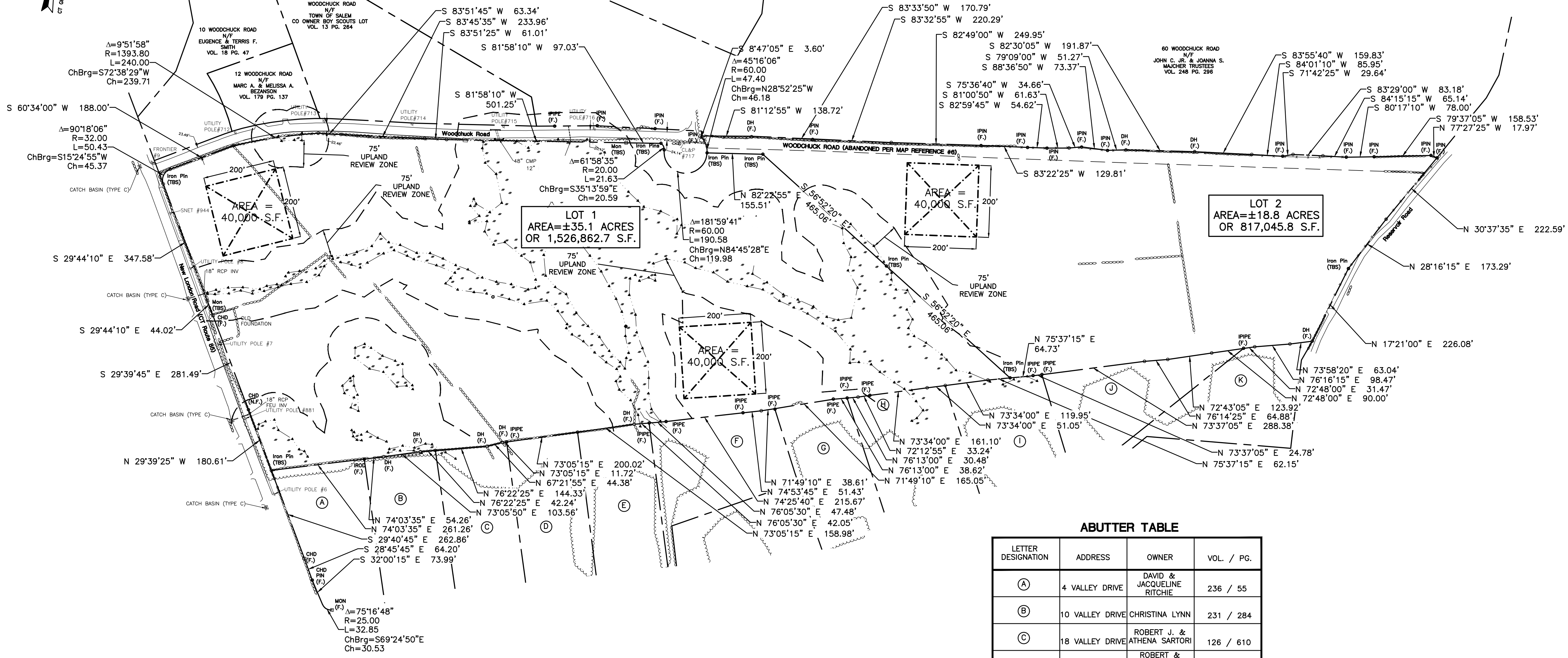
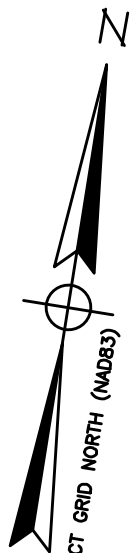
RYAN J. CHEVERIE, L.L.S. #70454

**LEGEND:**

- |  |                      |  |                           |
|--|----------------------|--|---------------------------|
|  | PROPERTY LINE        |  | UTILITY POLE              |
|  | CHAIN-LINK FENCE     |  | NOW OR FORMERLY           |
|  | RETAINING WALL       |  | UNDER GROUND              |
|  | WETLANDS EDGE        |  | DECIDUOUS TREE            |
|  | STONE WALL           |  | OVERHEAD ELECTRIC LINE    |
|  | BOUNDARY POINT       |  | WATER SHUTOFF             |
|  | IRON PIN, IRON PIPE  |  | BOLLARD                   |
|  | MONUMENT             |  | SHRUB                     |
|  | GAS GATE, WATER GATE |  | WETLANDS VEGETATION, FLAG |
|  | TRAFFIC SIGN         |  |                           |
|  | SEWER MANHOLE        |  |                           |



<p><b>CLA Engineers, Inc.</b> CIVIL • STRUCTURAL • SURVEYING</p> <p>317 Main Street Norwich, CT 06360 (860) 886-1966 Fax (860) 886-9165</p>		Project No. CLA-7048
		Proj. Surveyor R.J.C.
<p><b>BOUNDARY SURVEY</b></p> <p><b>496 NEW LONDON ROAD</b></p> <p>TOWN OF SALEM, CONNECTICUT</p>		Date: 07/19/22
		Sheet No. <b>01</b>



**SURVEY NOTES**

- THIS SURVEY AND MAP HAS BEEN PREPARED IN ACCORDANCE WITH SECTION 20-300b-1 THRU 20-300b-20 OF THE REGULATIONS FOR STATE AGENCIES "STANDARDS FOR SURVEYS AND MAPS IN THE STATE OF CONNECTICUT" AS ENDORSED BY THE CONNECTICUT ASSOCIATION OF LAND SURVEYORS, INC.
  - A. TYPE OF SURVEY: BOUNDARY SURVEY
  - B. BOUNDARY DETERMINATION CATEGORY: RESURVEY / ORIGINAL OF NEW LOT LINES
  - C. HORIZONTAL ACCURACY: A-2
  - VERTICAL ACCURACY: N/A
  - TOPOGRAPHIC ACCURACY: N/A
  - D. INTENT: TO SHOW NEW LOT LINES TO FOR SUBDIVISION.
- HORIZONTAL ORIENTATION IS CT N.A.D 83 BASED ON FIELD GPS OBSERVATIONS
- VERTICAL DATUM IS N.A.V.D 88 FOR CONTOURS AND ALL OTHER ELEVATIONS DEPICTED
- CONTOURS WERE COMPILED FROM STATE PROVIDED LIDAR DATA AND WERE NOT FIELD VERIFIED
- LOT AREA = 2,352,235.77 SF OR 54.0 ACRES AND IS LOCATED IN THE RU-A ZONING DISTRICT
- A PRINT OR MYLAR OF THIS MAP IS NOT VALID UNLESS IT CONTAINS THE SEAL AND LIVE SIGNATURE OF THE SURVEYOR

**ABUTTER TABLE**

LETTER DESIGNATION	ADDRESS	OWNER	VOL. / PG.
(A)	4 VALLEY DRIVE	DAVID & JACQUELINE RITCHIE	236 / 55
(B)	10 VALLEY DRIVE	CHRISTINA LYNN	231 / 284
(C)	18 VALLEY DRIVE	ROBERT J. & ATHENA SARTORI	126 / 610
(D)	26 VALLEY DRIVE	ROBERT & KAREN CULLINEN	125 / 06
(E)	34 VALLEY DRIVE	SARAH ANN & BRENT SULLIVAN ALI	274 / 414
(F)	40 VALLEY DRIVE	TIMOTHY W. & KAREN FRICK	82 / 531
(G)	62 VALLEY DRIVE	BRITTANY NICOLE TINO	273 / 85
(H)	70 VALLEY DRIVE	MARK R. NELSON	233 / 30
(I)	82 VALLEY DRIVE	JAMES R. III & KRISTI L. MORRISON	249 / 166
(J)	90 VALLEY DRIVE	JASON S. MACKLIN & KIM M. HARGRAVE	247 / 655
(K)	92 VALLEY DRIVE	DEBORAH A. & DANIEL E. SHEEHAN	252 / 478

APPROVED BY THE TOWN OF SALEM PLANNING AND ZONING COMMISSION \_\_\_\_\_ DATE OF APPROVAL \_\_\_\_\_

CHAIRMAN OR SECRETARY OF THE COMMISSION \_\_\_\_\_ DATE \_\_\_\_\_

ALL WORK SHOWN ON THIS PLAN SHALL BE COMPLETED BY \_\_\_\_\_

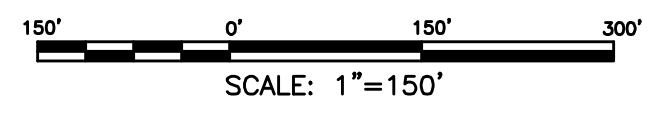
**LEGEND:**

- PROPERTY LINE
- CHAIN-LINK FENCE
- RETAINING WALL
- WETLANDS EDGE
- STONE WALL
- BOUNDARY POINT
- IRON PIN, IRON PIPE
- MONUMENT
- GAS GATE, WATER GATE
- TRAFFIC SIGN
- SEWER MANHOLE
- UTILITY POLE
- NOW OR FORMERLY UNDER GROUND
- DECIDUOUS TREE
- OVERHEAD ELECTRIC LINE
- WATER SHUTOFF
- BOLLARD
- SHRUB
- WETLANDS VEGETATION, FLAG

TO MY KNOWLEDGE AND BELIEF THIS PLAN IS SUBSTANTIALLY CORRECT AS NOTED OR DEPICTED HEREON.

**PRELIMINARY**

RYAN J. CHEVERIE, L.L.S. #70454 \_\_\_\_\_ DATE \_\_\_\_\_

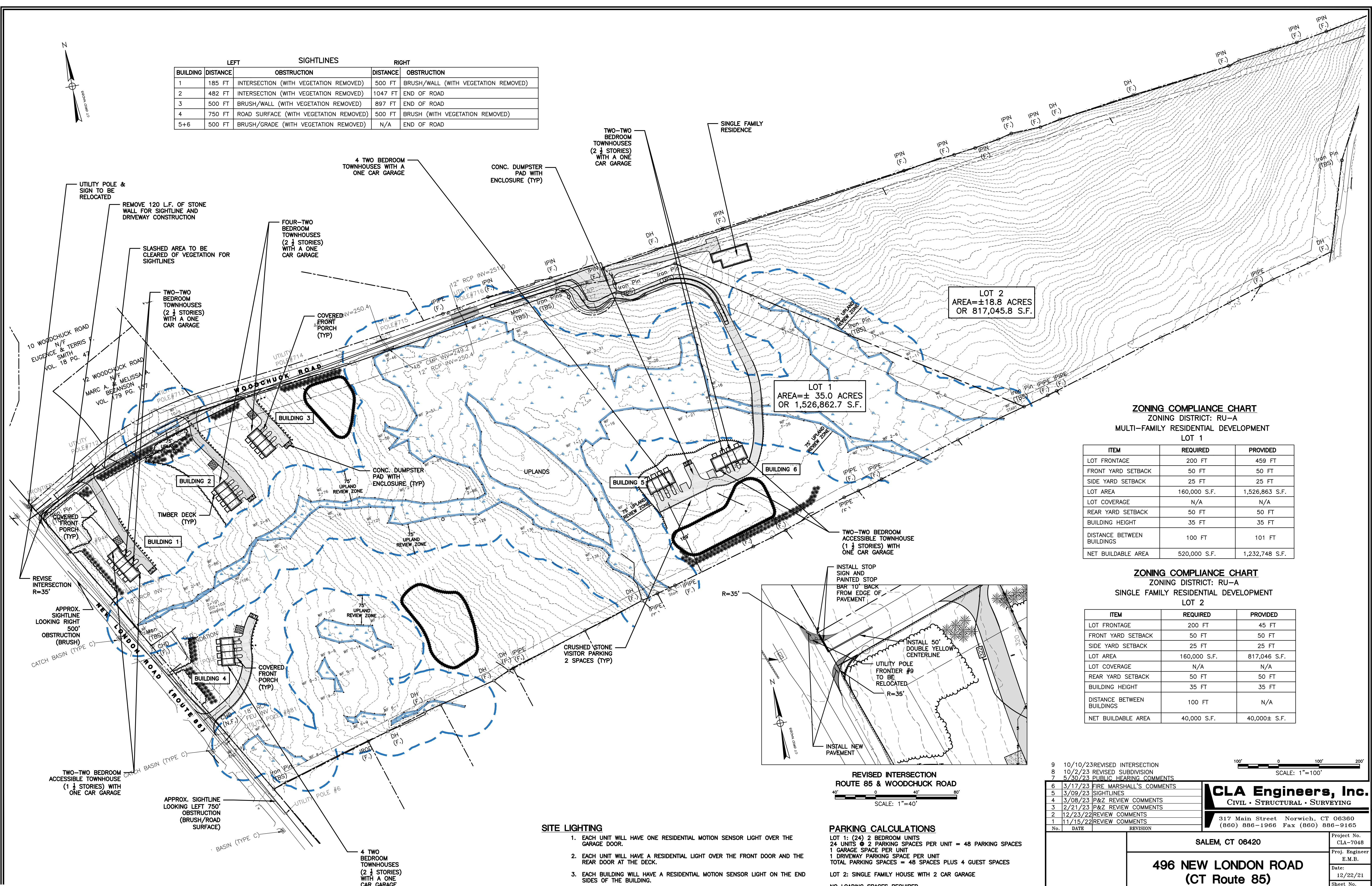


<b>CLA Engineers, Inc.</b> CIVIL • STRUCTURAL • SURVEYING 317 Main Street Norwich, CT 06360 (860) 886-1966 Fax (860) 886-9165		Project No. CLA-7048 Proj. Surveyor R.J.C. Date: 07/13/22 Sheet No. <b>2</b>
SUBDIVISION PLAN <b>496 NEW LONDON ROAD</b> TOWN OF SALEM, CONNECTICUT		Project No. CLA-7048 Proj. Surveyor R.J.C. Date: 07/13/22 Sheet No. <b>2</b>



M:\1000\7048\_496 New London Rd\Survey\7048\_SubDiv.dwg, 11/14/2023 11:14:25 AM, DWG To PDF.p3

LEFT		SIGHTLINES		RIGHT	
BUILDING	DISTANCE	OBSTRUCTION	DISTANCE	OBSTRUCTION	
1	185 FT	INTERSECTION (WITH VEGETATION REMOVED)	500 FT	BRUSH/WALL (WITH VEGETATION REMOVED)	
2	482 FT	INTERSECTION (WITH VEGETATION REMOVED)	1047 FT	END OF ROAD	
3	500 FT	BRUSH/WALL (WITH VEGETATION REMOVED)	897 FT	END OF ROAD	
4	750 FT	ROAD SURFACE (WITH VEGETATION REMOVED)	500 FT	BRUSH (WITH VEGETATION REMOVED)	
5+6	500 FT	BRUSH/GRADE (WITH VEGETATION REMOVED)	N/A	END OF ROAD	



LOT 2  
AREA=±18.8 ACRES  
OR 817,045.8 S.F.

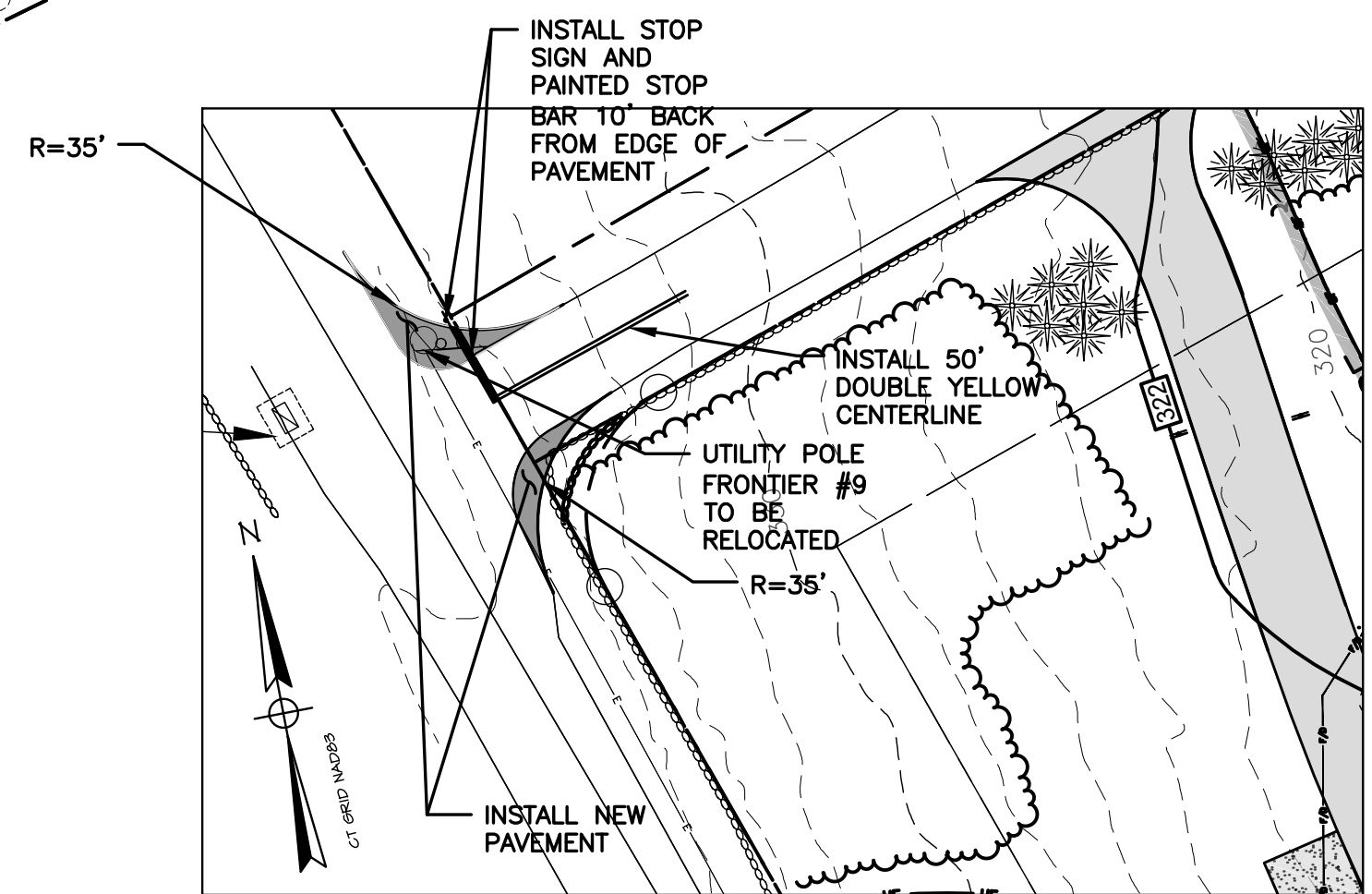
LOT 1  
AREA=± 35.0 ACRES  
OR 1,526,862.7 S.F.

**ZONING COMPLIANCE CHART**  
ZONING DISTRICT: RU-A  
MULTI-FAMILY RESIDENTIAL DEVELOPMENT  
LOT 1

ITEM	REQUIRED	PROVIDED
LOT FRONTAGE	200 FT	459 FT
FRONT YARD SETBACK	50 FT	50 FT
SIDE YARD SETBACK	25 FT	25 FT
LOT AREA	160,000 S.F.	1,526,863 S.F.
LOT COVERAGE	N/A	N/A
REAR YARD SETBACK	50 FT	50 FT
BUILDING HEIGHT	35 FT	35 FT
DISTANCE BETWEEN BUILDINGS	100 FT	101 FT
NET BUILDABLE AREA	520,000 S.F.	1,232,748 S.F.

**ZONING COMPLIANCE CHART**  
ZONING DISTRICT: RU-A  
SINGLE FAMILY RESIDENTIAL DEVELOPMENT  
LOT 2

ITEM	REQUIRED	PROVIDED
LOT FRONTAGE	200 FT	45 FT
FRONT YARD SETBACK	50 FT	50 FT
SIDE YARD SETBACK	25 FT	25 FT
LOT AREA	160,000 S.F.	817,046 S.F.
LOT COVERAGE	N/A	N/A
REAR YARD SETBACK	50 FT	50 FT
BUILDING HEIGHT	35 FT	35 FT
DISTANCE BETWEEN BUILDINGS	100 FT	N/A
NET BUILDABLE AREA	40,000 S.F.	40,000± S.F.



REVISED INTERSECTION  
ROUTE 85 & WOODCHUCK ROAD  
SCALE: 1"=40'

**SITE LIGHTING**

- EACH UNIT WILL HAVE ONE RESIDENTIAL MOTION SENSOR LIGHT OVER THE GARAGE DOOR.
- EACH UNIT WILL HAVE A RESIDENTIAL LIGHT OVER THE FRONT DOOR AND THE REAR DOOR AT THE DECK.
- EACH BUILDING WILL HAVE A RESIDENTIAL MOTION SENSOR LIGHT ON THE END SIDES OF THE BUILDING.
- AT THE ENTRANCE TO EACH DRIVEWAY AT THE STREET, THERE WILL BE A FREE STANDING RESIDENTIAL POST LIGHT (MAX HEIGHT 6 FEET)

**PARKING CALCULATIONS**

LOT 1: (24) 2 BEDROOM UNITS  
24 UNITS @ 2 PARKING SPACES PER UNIT = 48 PARKING SPACES  
1 GARAGE SPACE PER UNIT  
1 DRIVEWAY PARKING SPACE PER UNIT  
TOTAL PARKING SPACES = 48 SPACES PLUS 4 GUEST SPACES

LOT 2: SINGLE FAMILY HOUSE WITH 2 CAR GARAGE  
NO LOADING SPACES REQUIRED

No.	DATE	REVISION
9	10/10/23	REVISED INTERSECTION
8	10/2/23	REVISED SUBDIVISION
7	5/30/23	PUBLIC HEARING COMMENTS
6	3/17/23	FIRE MARSHAL'S COMMENTS
5	3/09/23	SIGHTLINES
4	3/08/23	P&Z REVIEW COMMENTS
3	2/21/23	P&Z REVIEW COMMENTS
2	12/23/22	REVIEW COMMENTS
1	11/15/22	REVIEW COMMENTS

**CLA Engineers, Inc.**  
CIVIL • STRUCTURAL • SURVEYING

317 Main Street Norwich, CT 06360  
(860) 886-1966 Fax (860) 886-9165

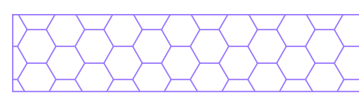
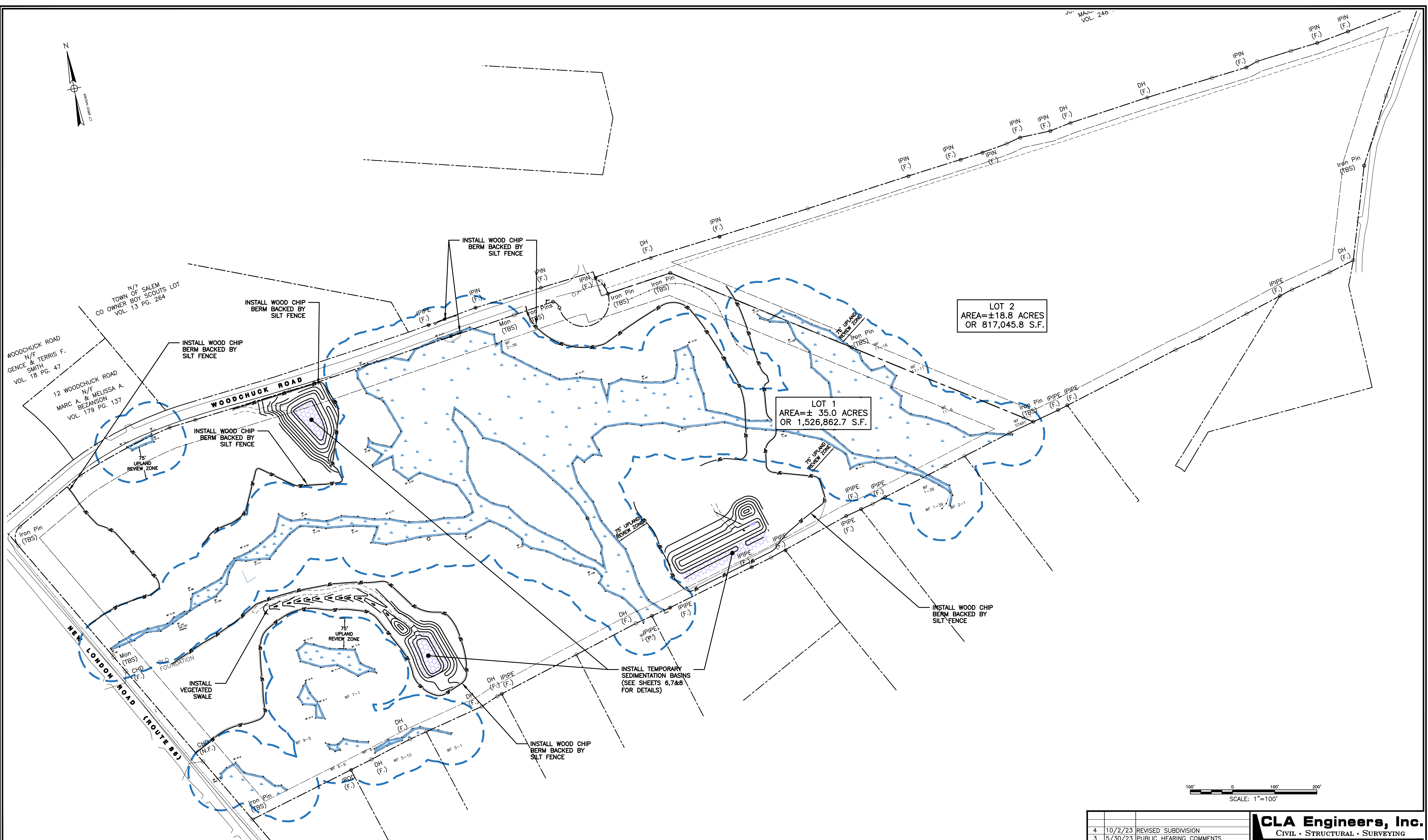
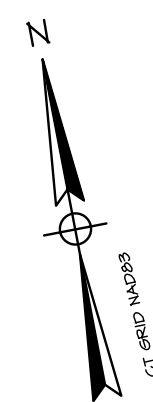
SALEM, CT 06420

**496 NEW LONDON ROAD**  
**(CT Route 85)**

OVERALL SITE PLAN

Project No.  
CLA-7048  
Proj. Engineer  
E.M.B.  
Date:  
12/22/21  
Sheet No.

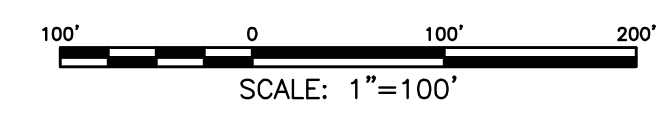
**3**



WETLAND MIX (NEW ENGLAND  
EROSION CONTROL/RESTORATION  
FOR MOIST SITES)

LOT 2  
AREA=±18.8 ACRES  
OR 817,045.8 S.F.

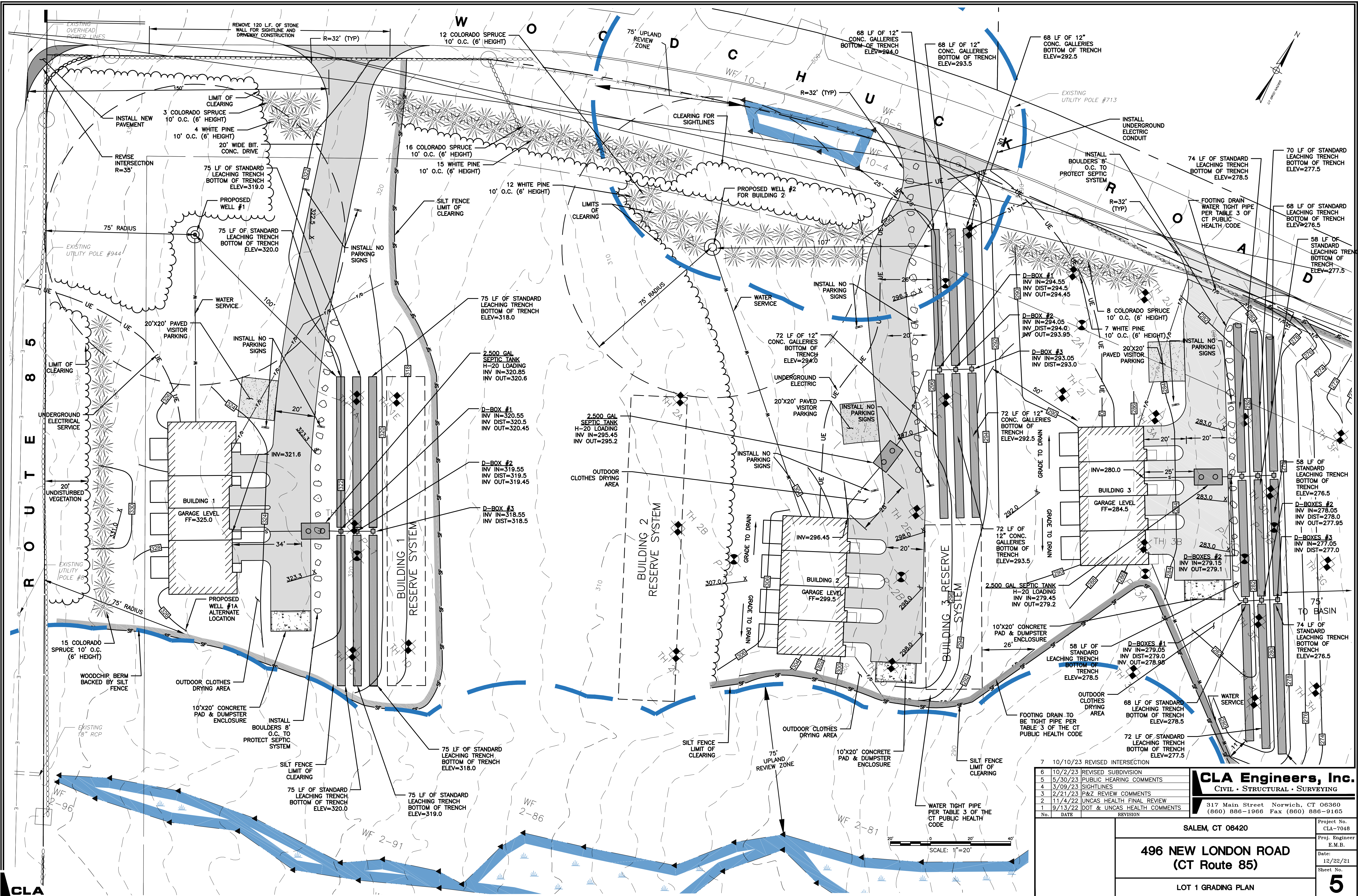
LOT 1  
AREA=± 35.0 ACRES  
OR 1,526,862.7 S.F.



		<b>CLA Engineers, Inc.</b> CIVIL • STRUCTURAL • SURVEYING	
		317 Main Street Norwich, CT 06360 (860) 886-1966 Fax (860) 886-9165	
		SALEM, CT 06420	
		496 NEW LONDON ROAD (CT Route 85)	
		EROSION CONTROL PLAN	
		Project No. CLA-7048	
		Proj. Engineer E.M.B.	
		Date: 12/22/21	
		Sheet No. <b>4</b>	
No.	DATE	REVISION	
4	10/2/23	REVISED SUBDIVISION	
3	5/30/23	PUBLIC HEARING COMMENTS	
2	3/08/23	P&Z REVIEW COMMENTS	
1	2/21/23	P&Z REVIEW COMMENTS	

M:\7000\7000\7048 496 New London Rd - Plans - V12.dwg, 11/14/2023 10:53:49 AM, DWG To PDF, p.3

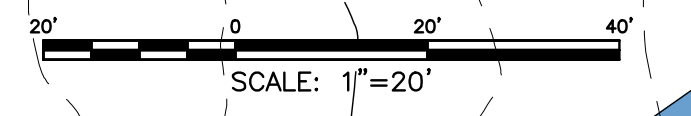
MA1000070007048 496 New London Rd - Plans - V12.dwg, 11/14/2023 10:56:11 AM, DWG To PDF.pc3

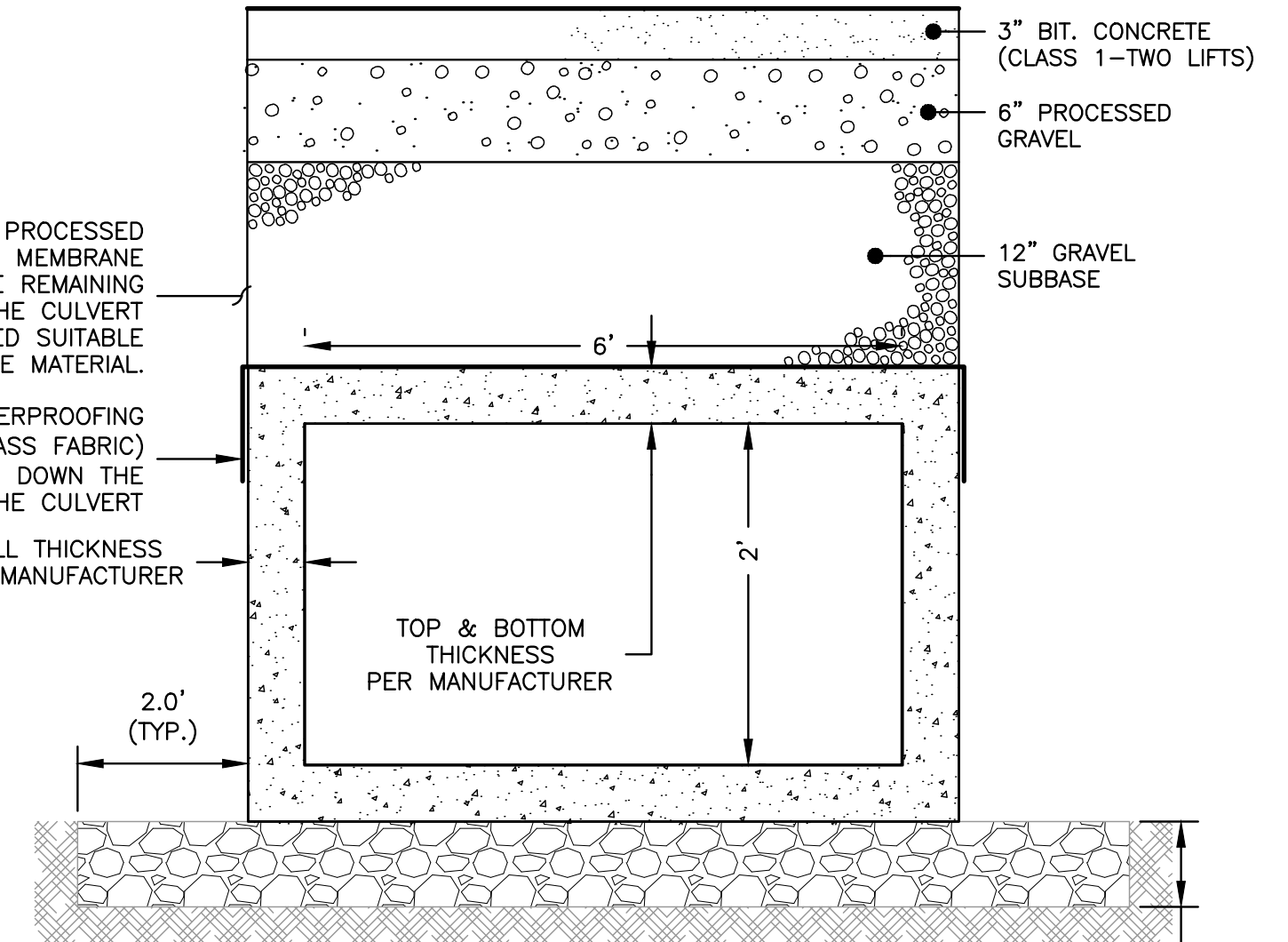
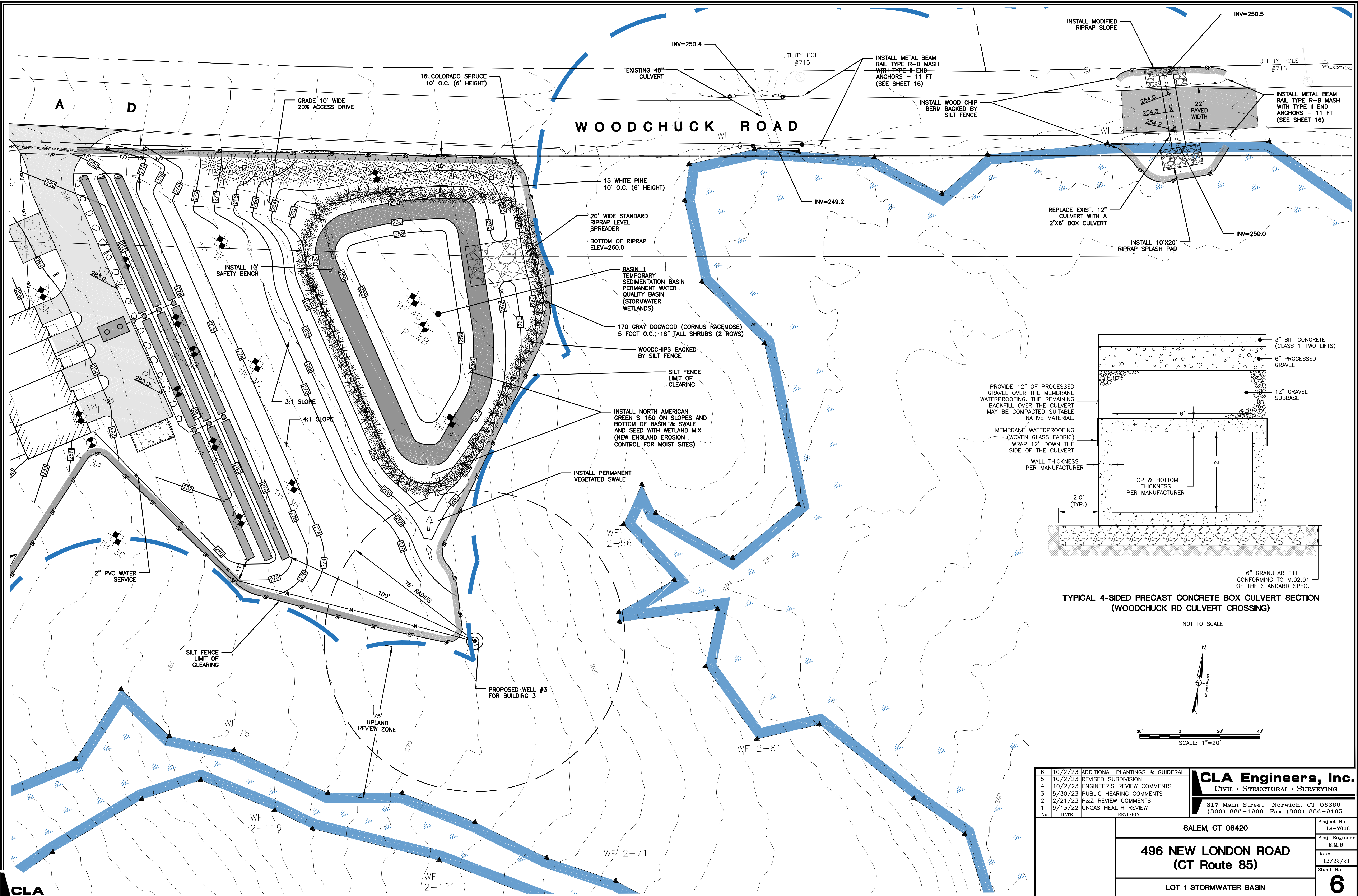


7	10/10/23	REVISED INTERSECTION
6	10/2/23	REVISED SUBDIVISION
5	5/30/23	PUBLIC HEARING COMMENTS
4	3/09/23	SIGHTLINES
3	2/21/23	P&Z REVIEW COMMENTS
2	11/4/22	UNCAS HEALTH FINAL REVIEW
1	9/13/22	DOT & UNCAS HEALTH COMMENTS
No.	DATE	REVISION

**CLA Engineers, Inc.**  
 CIVIL • STRUCTURAL • SURVEYING  
 317 Main Street Norwich, CT 06360  
 (860) 886-1966 Fax (860) 886-9165

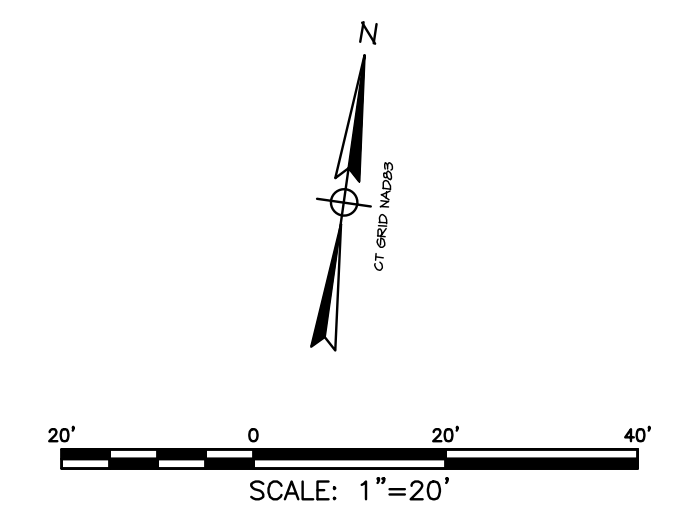
SALEM, CT 06420		Project No. CLA-7048
<b>496 NEW LONDON ROAD (CT Route 85)</b>		Proj. Engineer E.M.B.
		Date: 12/22/21
LOT 1 GRADING PLAN		Sheet No. <b>5</b>





**TYPICAL 4-SIDED PRECAST CONCRETE BOX CULVERT SECTION (WOODCHUCK RD CULVERT CROSSING)**

NOT TO SCALE



6	10/2/23	ADDITIONAL PLANTINGS & GUIDERAIL
5	10/2/23	REVISED SUBDIVISION
4	10/2/23	ENGINEER'S REVIEW COMMENTS
3	5/30/23	PUBLIC HEARING COMMENTS
2	2/21/23	P&Z REVIEW COMMENTS
1	9/13/22	UNCAS HEALTH REVIEW
No.	DATE	REVISION

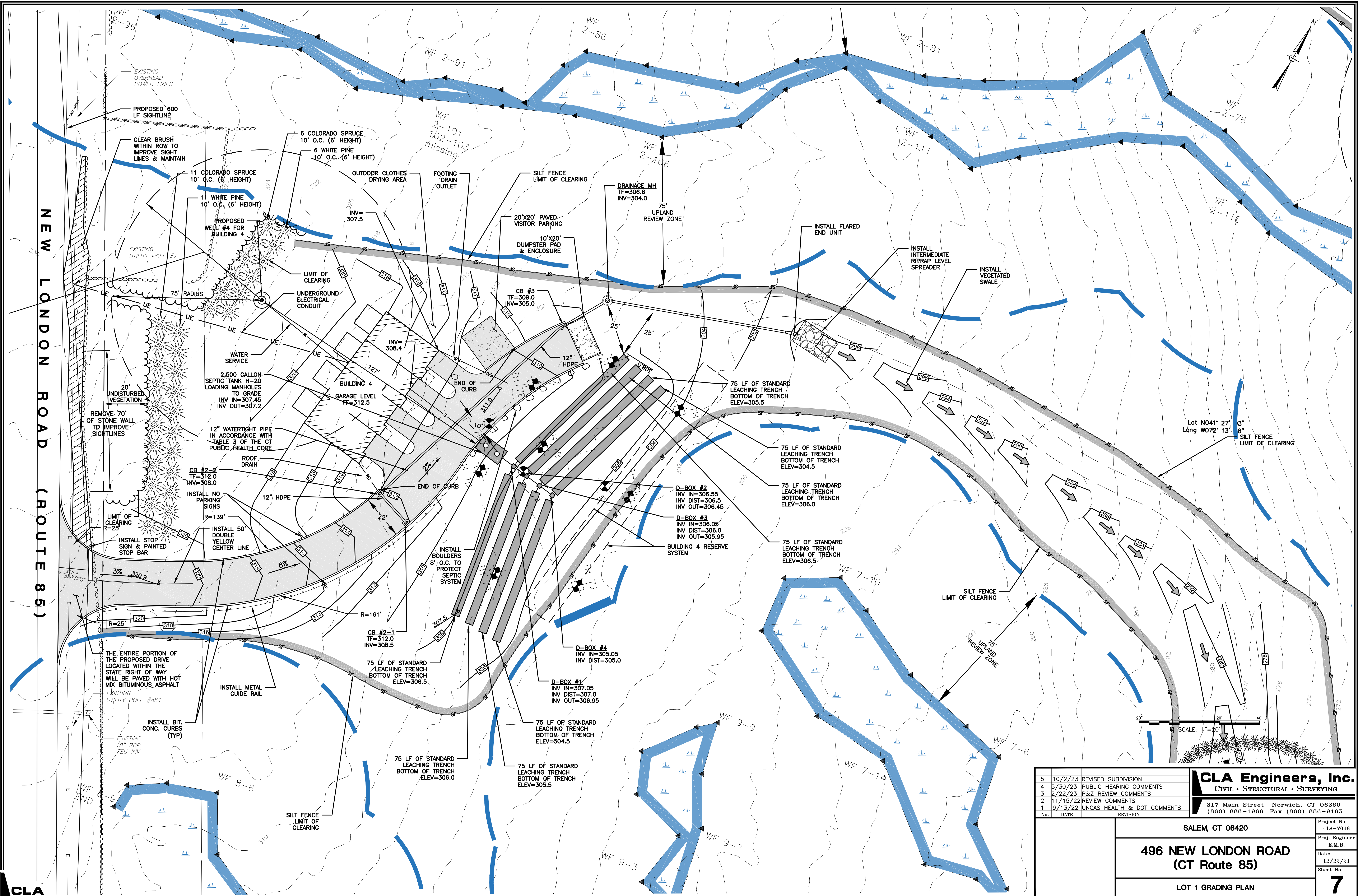
**CLA Engineers, Inc.**  
 CIVIL • STRUCTURAL • SURVEYING

317 Main Street Norwich, CT 06360  
 (860) 886-1966 Fax (860) 886-9165

Project No. CLA-7048	
Proj. Engineer E.M.B.	
Date: 12/22/21	
Sheet No. <b>6</b>	
SALEM, CT 06420	
<b>496 NEW LONDON ROAD (CT Route 85)</b>	
LOT 1 STORMWATER BASIN	

M:\0000\7048\7048-496 New London Rd - Plans - V12.dwg, 11/14/2023 11:00:57 AM, DWG To PDF.pc3

**CLA**



NEW LONDON ROAD (ROUTE 85)

5	10/2/23	REVISED SUBDIVISION
4	5/30/23	PUBLIC HEARING COMMENTS
3	2/22/23	P&Z REVIEW COMMENTS
2	11/15/22	REVIEW COMMENTS
1	9/13/22	UNCLAS HEALTH & DOT COMMENTS
No.	DATE	REVISION

**CLA Engineers, Inc.**  
 CIVIL • STRUCTURAL • SURVEYING

317 Main Street Norwich, CT 06360  
 (860) 886-1966 Fax (860) 886-9165

Project No. CLA-7048  
 Proj. Engineer E.M.B.  
 Date: 12/22/21  
 Sheet No. 7

SALEM, CT 06420  
**496 NEW LONDON ROAD**  
**(CT Route 85)**

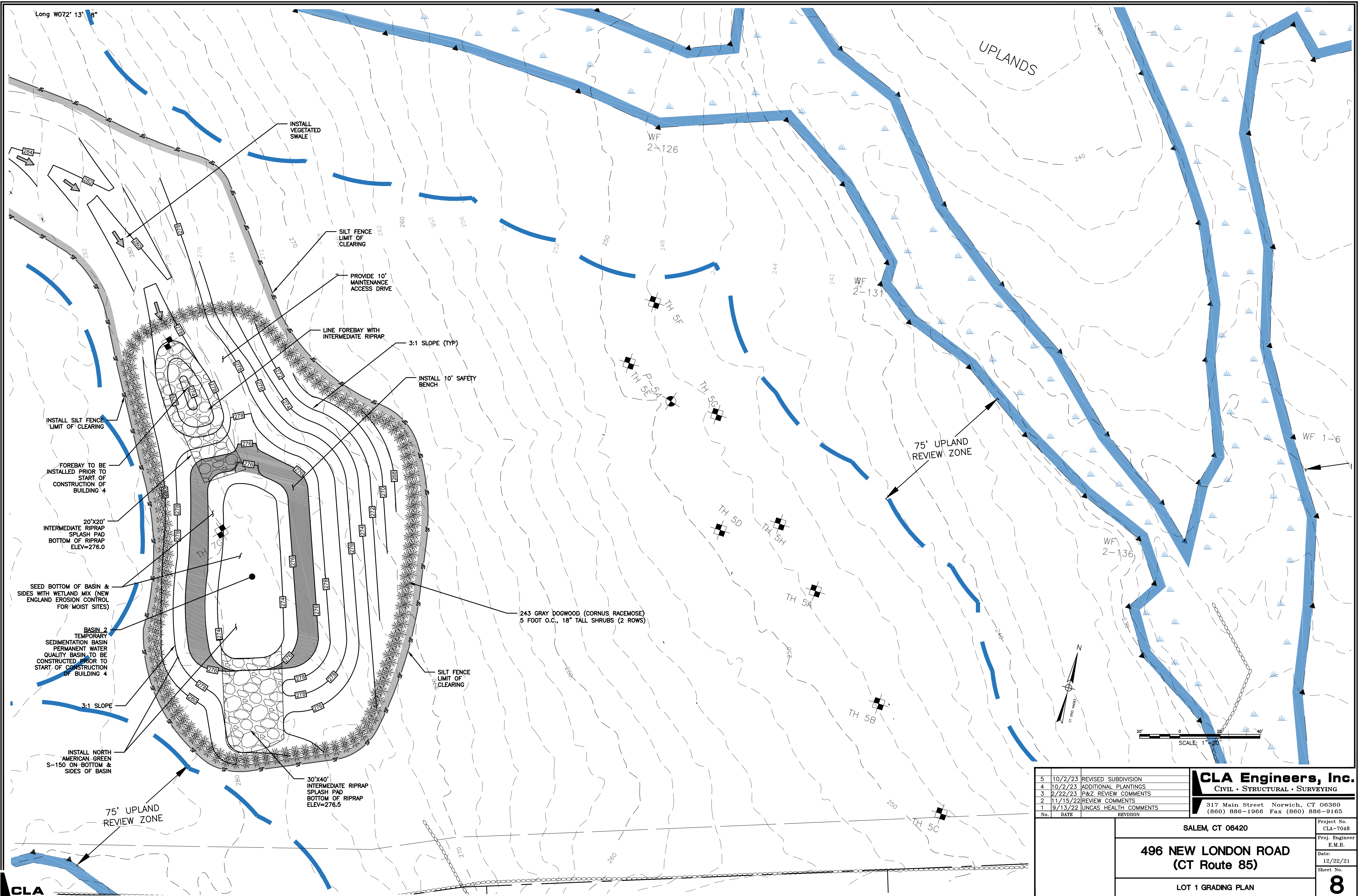
LOT 1 GRADING PLAN



M:\0000\7048 496 New London Rd Drawings\7048 - 496 New London Rd - Plans - V12.dwg, 11/14/2023 11:02:14 AM, DWG To PDF.pc3



MA\000\000\7048 496 New London Rd - Plans - V12.dwg, 11/14/2023 11:03:19 AM, DWG To PDF.pc3



CLA

No.	DATE	REVISION
5	10/2/23	REVISED SUBDIVISION
4	10/2/23	ADDITIONAL PLANTINGS
3	2/22/23	P&Z REVIEW COMMENTS
2	11/15/22	REVIEW COMMENTS
1	9/13/22	UNCAS HEALTH COMMENTS

**CLA Engineers, Inc.**  
 CIVIL • STRUCTURAL • SURVEYING

317 Main Street Norwich, CT 06360  
 (860) 886-1966 Fax (860) 886-9165

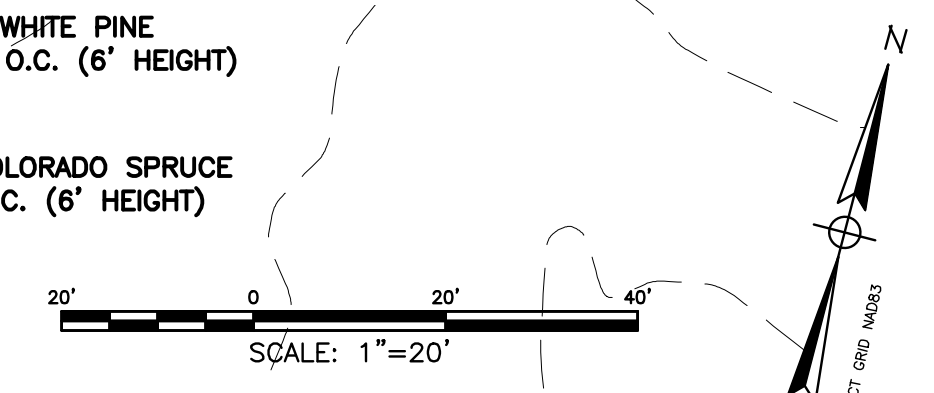
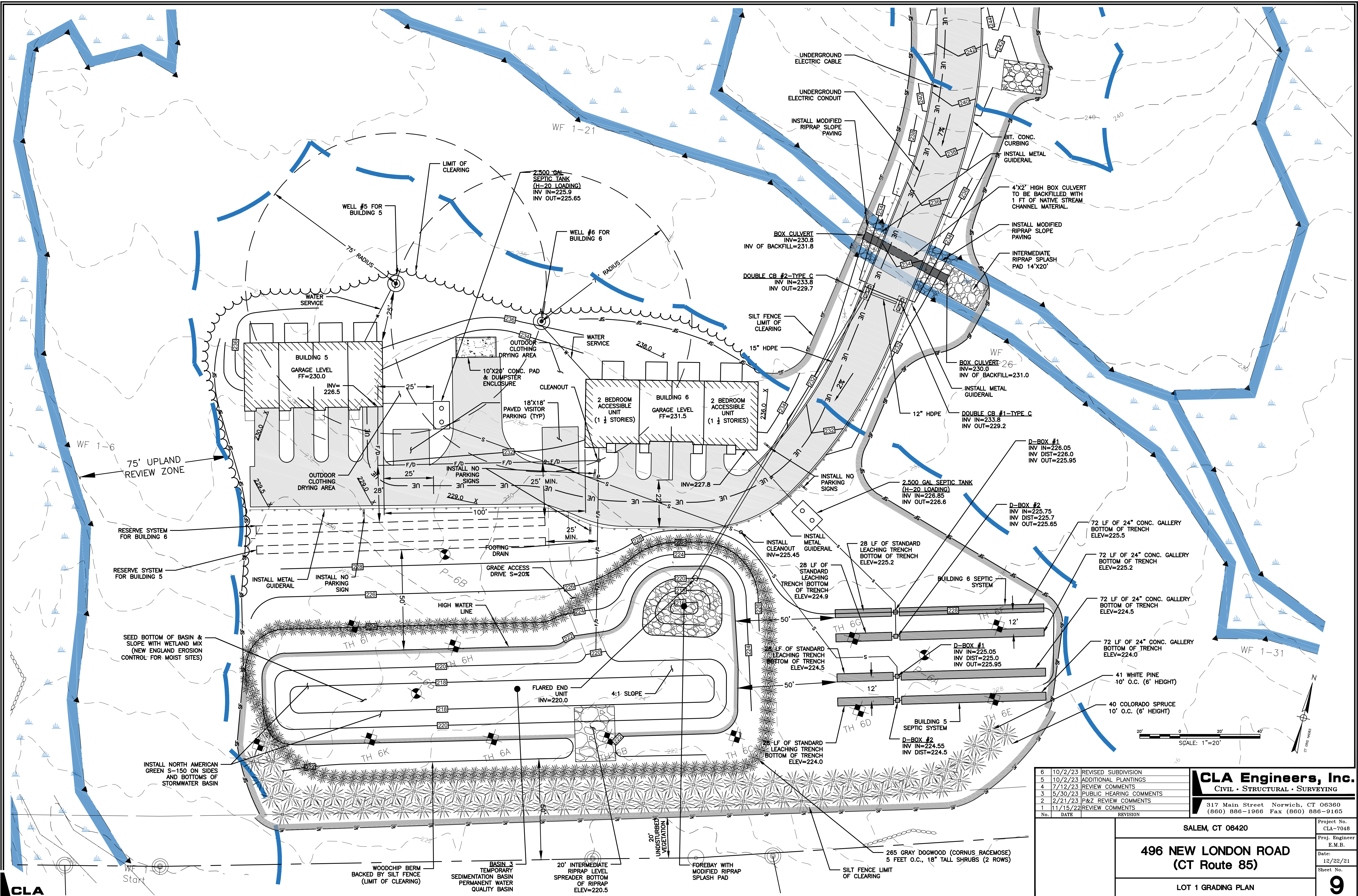
Project No. CLA-7048  
 Proj. Engineer E.M.B.  
 Date: 12/22/21  
 Sheet No. **8**

SALEM, CT 06420

**496 NEW LONDON ROAD**  
 (CT Route 85)

LOT 1 GRADING PLAN

MA100007000\7048 496 New London Rd - Plans - V12.dwg, 11/14/2023 11:03:50 AM, DWG To PDF.pc3



6	10/2/23	REVISED SUBDIVISION
5	10/2/23	ADDITIONAL PLANTINGS
4	7/12/23	REVIEW COMMENTS
3	5/30/23	PUBLIC HEARING COMMENTS
2	2/21/23	P&Z REVIEW COMMENTS
1	11/15/22	REVIEW COMMENTS
No.	DATE	REVISION

**CLA Engineers, Inc.**  
CIVIL • STRUCTURAL • SURVEYING

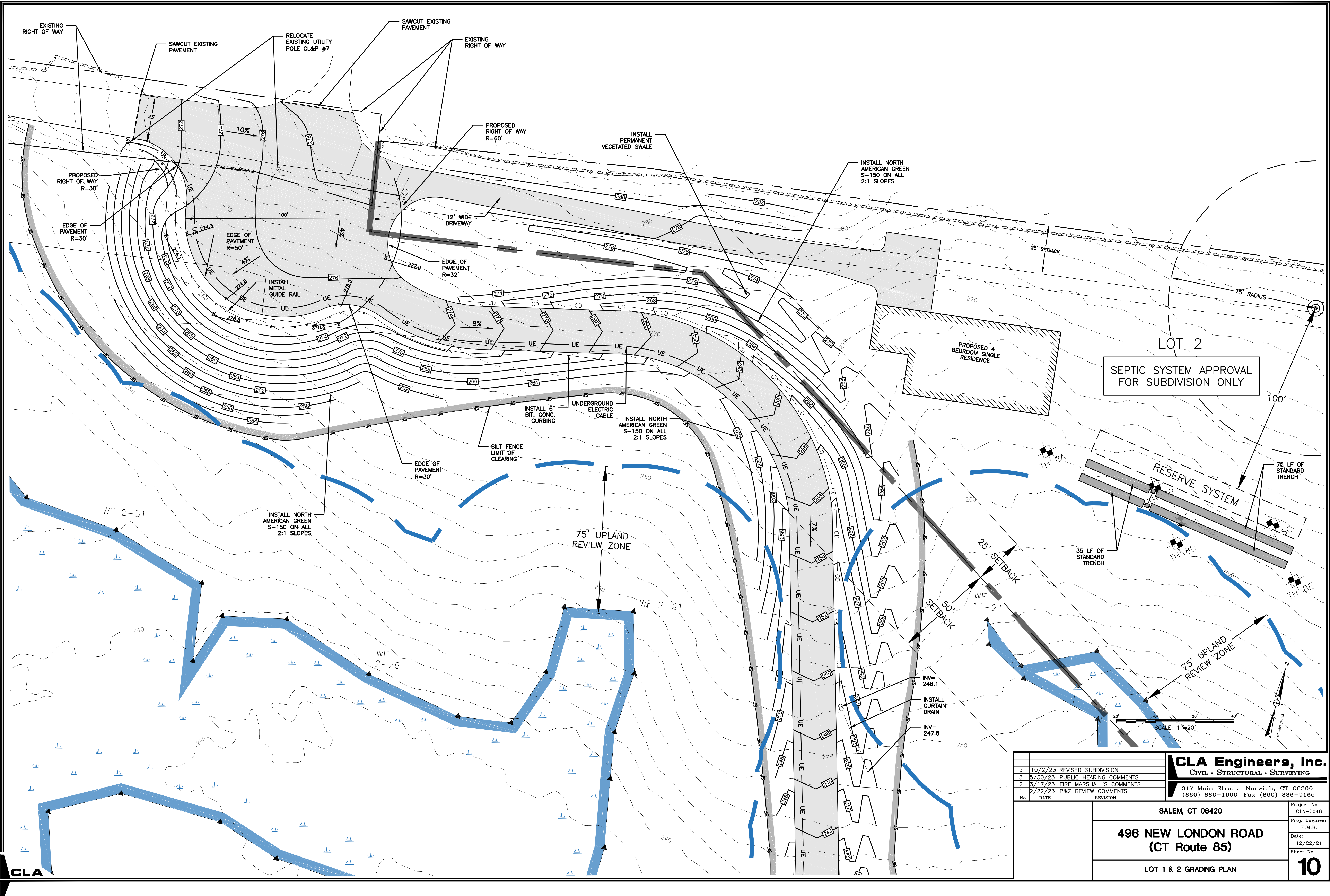
317 Main Street Norwich, CT 06360  
(860) 886-1966 Fax (860) 886-9165

Project No. CLA-7048  
Proj. Engineer E.M.B.

Date: 12/22/21  
Sheet No. 9

SALEM, CT 06420  
**496 NEW LONDON ROAD**  
(CT Route 85)  
LOT 1 GRADING PLAN





<b>CLA Engineers, Inc.</b> CIVIL • STRUCTURAL • SURVEYING 317 Main Street Norwich, CT 06360 (860) 886-1966 Fax (860) 886-9165		Project No. CLA-7048 Proj. Engineer E.M.B. Date: 12/22/21 Sheet No. <b>10</b>
5 10/2/23 REVISED SUBDIVISION 3 5/30/23 PUBLIC HEARING COMMENTS 2 3/17/23 FIRE MARSHALL'S COMMENTS 1 2/22/23 P&Z REVIEW COMMENTS	SALEM, CT 06420 <b>496 NEW LONDON ROAD</b> <b>(CT Route 85)</b> LOT 1 & 2 GRADING PLAN	

M:\0000\0000\7048 496 New London Rd - Plans - V12.dwg, 11/14/2023 11:06:09 AM, DWG To PDF.pc3

**TEST HOLE DATA**

TEST HOLES RECORDED BY ALYSSA BROCHU,  
JUNE 01 2022

**TH #1A**  
0-12" TOPSOIL, DARK BROWN FINE SANDY LOAM  
12-34" SUBSOIL, BRIGHT YELLOW BROWN SANDY LOAM  
34-93" VERY LIGHT BROWN LOAMY FINE SAND  
  
STONE THROUGHOUT ALL LAYERS  
NO BEDROCK  
WATER 80"  
MOTTLING 33"  
ROOTS 38"

**TH #1B**  
0-11" TOPSOIL, DARK BROWN FINE SANDY LOAM  
11-39" SUBSOIL, BRIGHT YELLOW BROWN SANDY LOAM  
39-96" VERY LIGHT BROWN LOAMY FINE SAND  
  
STONE THROUGHOUT ALL LAYERS  
NO BEDROCK  
NO WATER  
MOTTLING 37"  
ROOTS 36"

**TH #1C**  
0-9" TOPSOIL, DARK BROWN FINE SANDY LOAM  
9-32" SUBSOIL, BRIGHT YELLOW BROWN SANDY LOAM  
32-100" VERY LIGHT BROWN LOAMY FINE SAND  
  
STONE THROUGHOUT ALL LAYERS  
NO BEDROCK  
NO WATER  
NO MOTTLING  
ROOTS 35"

TEST HOLES RECORDED BY ALYSSA BROCHU,  
JUNE 24 2022

**TH #3D**  
0-9" TOPSOIL, BROWN FINE SANDY LOAM  
9-15" SUBSOIL, YELLOW BROWN FINE SANDY LOAM  
15-54" LIGHT BROWN SAND WITH GRAVEL AND STONES  
  
BEDROCK 54"  
NO WATER  
NO MOTTLING  
ROOTS 20"

**TH #3E**  
0-12" TOPSOIL, BROWN FINE SANDY LOAM  
12-37" SUBSOIL, YELLOW BROWN FINE SANDY LOAM  
37-99" LIGHT BROWN MEDIUM SAND WITH GRAVEL, COBBLES & STONES  
  
NO BEDROCK  
NO WATER  
NO MOTTLING  
ROOTS 32"

**TH #3F**  
0-12" TOPSOIL, BROWN FINE SANDY LOAM  
12-34" SUBSOIL, YELLOW BROWN FINE SANDY LOAM  
34-93" LIGHT BROWN MEDIUM SAND WITH GRAVEL AND COBBLES  
  
NO BEDROCK  
NO WATER  
NO MOTTLING  
ROOTS 36"

**TH #3G**  
0-10" TOPSOIL, BROWN FINE SANDY LOAM  
10-41" SUBSOIL, YELLOW BROWN FINE SANDY LOAM  
41-98" LIGHT BROWN MEDIUM SAND WITH GRAVEL, COBBLES & STONES  
\*STRIP OUT TOPSOIL & 24-37" LAYER  
  
NO BEDROCK  
NO WATER  
NO MOTTLING  
ROOTS 42"

**TH #3H**  
0-12" TOPSOIL, BROWN FINE SANDY LOAM  
12-26" SUBSOIL, YELLOW BROWN FINE SANDY LOAM  
26-100" LIGHT BROWN MEDIUM SAND WITH GRAVEL & COBBLES  
  
NO BEDROCK  
NO WATER  
NO MOTTLING  
ROOTS 33"

**TH #2A**  
0-11" TOPSOIL, DARK BROWN FINE SANDY LOAM  
11-38" SUBSOIL, YELLOW BROWN SANDY LOAM  
38-93" LIGHT BROWN SAND WITH ORANGE BROWN MOTTLES  
  
STONE THROUGHOUT ALL LAYERS  
NO BEDROCK  
WATER 58"  
MOTTLING 33"  
ROOTS 52"

**TH #2B**  
0-7" TOPSOIL, DARK BROWN FINE SANDY LOAM  
7-36" SUBSOIL, YELLOW BROWN SANDY LOAM  
36-92" LIGHT BROWN FINE SANDY LOAM  
  
STONE THROUGHOUT ALL LAYERS  
NO BEDROCK  
WATER 80"  
MOTTLING 32"  
ROOTS 43"

**TH #2C**  
0-16" TOPSOIL, DARK BROWN FINE SANDY LOAM  
16-22" SUBSOIL, YELLOW BROWN SANDY LOAM  
22-74" VERY LIGHT BROWN LOAMY FINE SAND  
74-93" LIGHT BROWN SAND WITH GRAVEL  
  
STONE THROUGHOUT ALL LAYERS  
NO BEDROCK  
WATER 83"  
NO MOTTLING  
ROOTS 28"

TEST HOLES RECORDED BY ALYSSA BROCHU,  
JULY 08 2022

**TH #5E**  
0-12" TOPSOIL, DARK BROWN FINE SANDY LOAM  
12-42" SUBSOIL, YELLOW BROWN FINE SANDY LOAM WITH COBBLES & STONES  
  
BEDROCK 42"  
NO WATER  
NO MOTTLING  
ROOTS 42"

**TH #5G**  
0-14" TOPSOIL, DARK BROWN FINE SANDY LOAM  
14-41" SUBSOIL, YELLOW BROWN FINE SANDY LOAM  
41-52" GREY & BROWN SILT  
52-99" LIGHT BROWN DENSE SAND WITH GRAVEL, COBBLES & STONES  
\*STRIP OUT TOPSOIL & 41-52" LAYER  
  
NO BEDROCK  
NO WATER  
MOTTLING 41"  
ROOTS 41"

**TH #5H**  
0-11" TOPSOIL, DARK BROWN FINE SANDY LOAM  
11-33" SUBSOIL, YELLOW BROWN SANDY LOAM WITH COBBLES & STONES  
33-96" LIGHT BROWN MEDIUM SAND WITH COBBLES & STONES  
  
NO BEDROCK  
NO WATER  
NO MOTTLING  
ROOTS 46"

**TH #5I**  
0-11" TOPSOIL, DARK BROWN FINE SANDY LOAM  
11-37" SUBSOIL, YELLOW BROWN FINE SANDY LOAM  
37-93" LIGHT BROWN MEDIUM SAND WITH GRAVEL, COBBLES & STONES  
\*STRIP OUT TOPSOIL & 24-37" LAYER  
  
NO BEDROCK  
NO WATER  
NO MOTTLING  
ROOTS 42"

**TH #5J**  
0-11" TOPSOIL, DARK BROWN FINE SANDY LOAM  
11-37" SUBSOIL, YELLOW BROWN FINE SANDY LOAM  
37-93" LIGHT BROWN MEDIUM SAND WITH GRAVEL, COBBLES & STONES  
\*STRIP OUT TOPSOIL & 24-37" LAYER  
  
NO BEDROCK  
NO WATER  
NO MOTTLING  
ROOTS 42"

**TH #3A**  
0-11" TOPSOIL, DARK BROWN FINE SANDY LOAM  
11-37" SUBSOIL, YELLOW BROWN FINE SANDY LOAM  
37-64" LIGHT BROWN LOAMY SAND  
64-95" LIGHT BROWN MEDIUM SAND AND GRAVEL  
  
STONE THROUGHOUT ALL LAYERS  
NO BEDROCK  
WATER 86"  
MOTTLING 33"  
ROOTS 37"

**TH #3B**  
0-10" TOPSOIL, DARK BROWN FINE SANDY LOAM  
10-37" SUBSOIL, YELLOW BROWN FINE SANDY LOAM  
37-102" VERY LIGHT BROWN FINE/MEDIUM SAND  
  
STONE THROUGHOUT ALL LAYERS  
NO BEDROCK  
WATER 75"  
NO MOTTLING  
ROOTS 43"

**TH #3C**  
0-9" TOPSOIL, DARK BROWN FINE SANDY LOAM  
9-27" SUBSOIL, YELLOW BROWN FINE SANDY LOAM  
27-96" LIGHT BROWN, MEDIUM SAND  
  
STONE THROUGHOUT ALL LAYERS  
NO BEDROCK  
NO WATER  
NO MOTTLING  
ROOTS 30"

TEST HOLES RECORDED BY ALYSSA BROCHU,  
JULY 08 2022

**TH #7H**  
0-10" TOPSOIL, DARK BROWN FINE SANDY LOAM  
10-21" SUBSOIL, YELLOW BROWN FINE SANDY LOAM WITH COBBLES & STONES  
21-103" DENSE, GREY SANDY LOAM WITH YELLOW BROWN MOTTLES  
  
\*STONE THROUGHOUT ALL LAYERS  
  
NO BEDROCK  
WATER 80"  
MOTTLING 23"  
ROOTS 24"

**TH #7I**  
0-11" TOPSOIL, DARK BROWN FINE SANDY LOAM  
11-26" SUBSOIL, YELLOW BROWN FINE SANDY LOAM  
26-94" DENSE, GREY SANDY LOAM WITH YELLOW BROWN MOTTLES  
  
\*STONE THROUGHOUT ALL LAYERS  
  
NO BEDROCK  
WATER 80"  
MOTTLING 23"  
ROOTS 24"

**TH #7J**  
0-15" TOPSOIL, DARK BROWN FINE SANDY LOAM  
15-30" SUBSOIL, YELLOW BROWN VERY FINE SANDY LOAM  
30-102" LIGHT BROWN VERY FINE SANDY LOAM WITH BRIGHT GREY/BROWN MOTTLES  
  
\*STONE THROUGHOUT ALL LAYERS  
  
NO BEDROCK  
WATER 62"  
MOTTLING 26"  
ROOTS 28"

**TH #7K**  
0-11" TOPSOIL, DARK BROWN FINE SANDY LOAM  
11-37" SUBSOIL, YELLOW BROWN FINE SANDY LOAM  
37-93" LIGHT BROWN MEDIUM SAND WITH GRAVEL, COBBLES & STONES  
\*STRIP OUT TOPSOIL & 24-37" LAYER  
  
NO BEDROCK  
NO WATER  
NO MOTTLING  
ROOTS 42"

**TH #7L**  
0-11" TOPSOIL, DARK BROWN FINE SANDY LOAM  
11-37" SUBSOIL, YELLOW BROWN FINE SANDY LOAM  
37-93" LIGHT BROWN MEDIUM SAND WITH GRAVEL, COBBLES & STONES  
\*STRIP OUT TOPSOIL & 24-37" LAYER  
  
NO BEDROCK  
NO WATER  
NO MOTTLING  
ROOTS 42"

**TH #6E**  
0-8" TOPSOIL, LIGHT BROWN FINE SANDY LOAM  
8-20" SUBSOIL, YELLOW BROWN FINE SANDY LOAM WITH GRAVEL, STONES AND COBBLES  
20-99" BROWN GRAVEL WITH COBBLES, STONES AND BANDS OF SAND  
  
NO BEDROCK  
NO WATER  
NO MOTTLING  
ROOTS 18"

TEST HOLES RECORDED BY ALYSSA BROCHU,  
JUNE 16 2022

**TH #4A**  
0-9" TOPSOIL, DARK BROWN FINE SANDY LOAM  
9-40" SUBSOIL, YELLOW BROWN FINE SANDY LOAM  
40-96" BROWN LOAMY SAND  
  
STONE THROUGHOUT ALL LAYERS  
NO BEDROCK  
WATER 70"  
MOTTLING 20"  
ROOTS 52"

**TH #4B**  
0-7" TOPSOIL, DARK BROWN FINE SANDY LOAM  
7-29" SUBSOIL, YELLOW BROWN FINE SANDY LOAM  
29-92" LIGHT BROWN, MEDIUM SAND WITH BRIGHT RED/GREY MOTTLES  
  
STONE THROUGHOUT ALL LAYERS  
NO BEDROCK  
WATER 75"  
MOTTLING 24"  
ROOTS 35"

**TH #4C**  
0-9" TOPSOIL, DARK BROWN FINE SANDY LOAM  
9-27" SUBSOIL, YELLOW BROWN FINE SANDY LOAM  
27-96" LIGHT BROWN, MEDIUM SAND  
  
STONE THROUGHOUT ALL LAYERS  
NO BEDROCK  
WATER 67"  
MOTTLING 23"  
ROOTS 27"

TEST HOLES RECORDED BY ALYSSA BROCHU,  
JULY 08 2022

**TH #6A**  
0-11" TOPSOIL, LIGHT BROWN FINE SANDY LOAM  
11-28" SUBSOIL, YELLOW BROWN FINE SANDY LOAM WITH GRAVEL & COBBLES  
28-99" BROWN GRAVEL WITH SAND, COBBLES, AND STONES  
  
NO BEDROCK  
NO WATER  
NO MOTTLING  
ROOTS 20"

**TH #6B**  
0-10" TOPSOIL, BROWN FINE SANDY LOAM  
10-97" SUBSOIL, BROWN GRAVEL WITH STONES & BOULDERS  
  
NO BEDROCK  
NO WATER  
NO MOTTLING  
ROOTS 20"

**TH #6C**  
0-9" TOPSOIL, DARK BROWN FINE SANDY LOAM  
9-44" SUBSOIL, YELLOW BROWN FINE SANDY LOAM  
44-96" YELLOW BROWN GRAVEL WITH SAND, COBBLES AND STONES  
  
NO BEDROCK  
NO WATER  
NO MOTTLING  
ROOTS 46"

**TH #6D**  
0-10" TOPSOIL, DARK BROWN FINE SANDY LOAM  
10-21" SUBSOIL, YELLOW BROWN FINE SANDY LOAM WITH GRAVEL AND COBBLES  
21-98" BROWN GRAVEL WITH SAND, COBBLES, AND STONES  
  
NO BEDROCK  
NO WATER  
NO MOTTLING  
ROOTS 17"

**TH #6E**  
0-8" TOPSOIL, DARK BROWN FINE SANDY LOAM  
8-22" SUBSOIL, YELLOW BROWN FINE SANDY LOAM WITH GRAVEL, STONES AND COBBLES  
22-100" BROWN GRAVEL WITH COBBLES AND STONES  
  
NO BEDROCK  
NO WATER  
NO MOTTLING  
ROOTS 16"

**TH #6F**  
0-8" TOPSOIL, LIGHT BROWN FINE SANDY LOAM  
8-20" SUBSOIL, YELLOW BROWN FINE SANDY LOAM WITH GRAVEL, STONES AND COBBLES  
20-99" BROWN GRAVEL WITH COBBLES, STONES AND BANDS OF SAND  
  
NO BEDROCK  
NO WATER  
NO MOTTLING  
ROOTS 18"

**TH #5D**  
0-9" TOPSOIL, DARK BROWN FINE SANDY LOAM  
9-24" SUBSOIL, YELLOW BROWN FINE SANDY LOAM  
24-37" YELLOW BROWN, GREY MOTTLED SILT  
37-98" LIGHT BROWN SAND WITH GRAVEL AND COBBLES  
\*STRIP OUT TOPSOIL & 24-37" LAYER  
  
NO BEDROCK  
NO WATER  
MOTTLING 27"  
ROOTS 37"

**TH #5E**  
0-22" TOPSOIL, BROWN FINE SANDY LOAM  
22-54" SUBSOIL, YELLOW BROWN FINE SANDY LOAM WITH GRAVEL AND COBBLES  
54-90" LIGHT BROWN, TAN SAND WITH GRAVEL AND COBBLES  
  
NO BEDROCK  
NO WATER  
NO MOTTLING  
ROOTS 25"

**TH #5C**  
0-12" TOPSOIL, BROWN FINE SANDY LOAM  
12-30" SUBSOIL, YELLOW BROWN FINE SANDY LOAM WITH GRAVEL AND COBBLES  
30-96" LIGHT BROWN, TAN SAND WITH GRAVEL AND COBBLES  
  
NO BEDROCK  
NO WATER  
NO MOTTLING  
ROOTS 23"

TEST HOLES RECORDED BY ALYSSA BROCHU,  
JULY 08 2022

**TH #8A**  
EXCAVATOR BLEW A PIN...DID NOT DIG  
  
**TH #8B**  
0-8" TOPSOIL, DARK BROWN FINE SANDY LOAM  
8-30" SUBSOIL, YELLOW BROWN FINE SANDY LOAM  
30-59" YELLOW BROWN COARSE SAND WITH LITTLE GRAVEL  
59-88" DENSE LIGHT BROWN COARSE SAND WITH LITTLE GRAVEL AND NO STONE  
  
BEDROCK 88"  
NO WATER  
NO MOTTLING  
ROOTS 59"

**TH #8C**  
0-10" TOPSOIL, DARK BROWN FINE SANDY LOAM  
10-27" SUBSOIL, YELLOW BROWN FINE SANDY LOAM  
27-38" BROWN TO LIGHT BROWN MEDIUM SAND WITH GRAVEL AND COBBLES  
38-64" LIGHT BROWN MEDIUM SAND WITH GRAVEL AND COBBLES  
  
BEDROCK 64"  
NO WATER  
NO MOTTLING  
ROOTS 36"

**TH #8E**  
0-7" TOPSOIL, BROWN FINE SANDY LOAM  
7-25" SUBSOIL, YELLOW BROWN FINE SANDY LOAM  
25-36" LIGHT BROWN AND DARK BROWN LOAMY SAND  
36-92" LIGHT BROWN MEDIUM TO COARSE SAND WITH GRAVEL AND COBBLES  
  
BEDROCK 92" (BOULDER?)  
NO WATER  
MOTTLING 32"  
ROOTS 36"

**TH #8D**  
0-10" TOPSOIL, DARK BROWN FINE SANDY LOAM  
10-33" SUBSOIL, YELLOW BROWN FINE SANDY LOAM  
33-86" DENSE LIGHT BROWN TO BROWN COARSE SAND WITH STONE  
  
BEDROCK 86"  
NO WATER  
MOTTLING 33"  
ROOTS 40"

**TH #8F**  
0-7" TOPSOIL, BROWN FINE SANDY LOAM  
7-25" SUBSOIL, YELLOW BROWN FINE SANDY LOAM  
25-36" LIGHT BROWN AND DARK BROWN LOAMY SAND  
36-92" LIGHT BROWN MEDIUM TO COARSE SAND WITH GRAVEL AND COBBLES  
  
BEDROCK 92" (BOULDER?)  
NO WATER  
MOTTLING 32"  
ROOTS 36"

**TH #8G**  
0-11" TOPSOIL, LIGHT BROWN FINE SANDY LOAM  
11-28" SUBSOIL, YELLOW BROWN FINE SANDY LOAM WITH GRAVEL & COBBLES  
28-99" BROWN GRAVEL WITH SAND, COBBLES, AND STONES  
  
NO BEDROCK  
NO WATER  
NO MOTTLING  
ROOTS 20"

**TH #7A**  
0-9" TOPSOIL, DARK BROWN FINE SANDY LOAM  
9-24" SUBSOIL, YELLOW BROWN FINE SANDY LOAM  
24-102" GREY, BRIGHT YELLOW BROWN MOTTLED FINE SAND WITH GRAVEL AND COBBLES  
  
NO BEDROCK  
WATER 72"  
MOTTLING 24"  
ROOTS 24"

**TH #7B**  
0-11" TOPSOIL, DARK BROWN FINE SANDY LOAM  
11-22" SUBSOIL, YELLOW BROWN FINE SANDY LOAM  
22-90" GREY, BRIGHT YELLOW BROWN MOTTLED FINE SAND WITH GRAVEL AND COBBLES  
  
NO BEDROCK  
WATER 65"  
MOTTLING 22"  
ROOTS 23"

**TH #7C**  
0-12" TOPSOIL, DARK BROWN FINE SANDY LOAM  
12-18" BROWN SANDY LOAM  
18-42" GREY, BRIGHT YELLOW BROWN MOTTLED VERY FINE SANDY LOAM  
42-95" LIGHT BROWN LOAMY FINE SAND WITH GRAVEL AND COBBLES  
  
NO BEDROCK  
WATER 77"  
MOTTLING 21"  
ROOTS 21"

TEST HOLES RECORDED BY ALYSSA BROCHU,  
JULY 12 2022

**TH #7D**  
0-12" TOPSOIL, BROWN FINE SANDY LOAM  
12-27" SUBSOIL, YELLOW BROWN FINE SANDY LOAM  
27-89" LIGHT BROWN FINE SANDY LOAM WITH GRAVEL  
  
NO BEDROCK  
WATER 77"  
MOTTLING 28"  
ROOTS 25"

**TH #7E**  
0-11" TOPSOIL, BROWN SANDY LOAM  
11-37" SUBSOIL, YELLOW BROWN FINE SANDY LOAM  
37-100" LIGHT BROWN DENSE LOAM SAND WITH GRAVEL, COBBLES, AND STONES  
  
NO BEDROCK  
WATER 73"  
MOTTLING 24"  
ROOTS 23"

**TH #7F**  
0-17" TOPSOIL, DARK BROWN FINE SANDY LOAM  
17-46" SUBSOIL, YELLOW BROWN VERY FINE SANDY LOAM  
46-84" GREY FINE SANDY LOAM WITH TRACE GRAVEL & MOIST  
  
\*VERY STONEY  
  
NO BEDROCK  
WATER 72"  
NO MOTTLING  
ROOTS 33"

**TH #7G**  
0-12" TOPSOIL, DARK BROWN SANDY LOAM  
12-41" SUBSOIL, YELLOW BROWN FINE SANDY LOAM  
41-89" LIGHT BROWN SAND WITH GRAVEL AND COBBLES  
  
NO BEDROCK  
WATER 75"  
MOTTLING 35"  
ROOTS 42"

**TH #7H**  
0-11" TOPSOIL, BROWN FINE SANDY LOAM  
11-37" SUBSOIL, YELLOW BROWN FINE SANDY LOAM  
37-93" LIGHT BROWN MEDIUM TO COARSE SAND WITH GRAVEL, COBBLES AND STONES  
  
NO BEDROCK  
WATER 96"  
MOTTLING 31"  
ROOTS 28"

**TH #7I**  
0-11" TOPSOIL, BROWN SANDY LOAM  
11-37" SUBSOIL, YELLOW BROWN FINE SANDY LOAM  
37-93" LIGHT BROWN MEDIUM TO COARSE SAND WITH GRAVEL, COBBLES AND STONES  
  
NO BEDROCK  
WATER 96"  
MOTTLING 31"  
ROOTS 28"

**TH #1D**  
0-8" TOPSOIL, BROWN SANDY LOAM  
8-27" SUBSOIL, YELLOW BROWN FINE SANDY LOAM  
27-90" LIGHT BROWN MEDIUM SAND WITH COBBLES, GRAVEL, AND STONES  
  
NO BEDROCK  
NO WATER  
NO MOTTLING  
ROOTS 25"

**TH #1E**  
0-11" TOPSOIL, BROWN SANDY LOAM  
11-37" SUBSOIL, YELLOW BROWN FINE SANDY LOAM  
37-100" LIGHT BROWN DENSE LOAM SAND WITH GRAVEL, COBBLES, AND STONES  
  
NO BEDROCK  
NO WATER  
MOTTLING 27"  
ROOTS 28"

**TH #2D**  
0-12" TOPSOIL, BROWN FINE SANDY LOAM  
12-54" SUBSOIL, YELLOW BROWN FINE SANDY LOAM WITH COBBLES AND STONES  
54-102" LIGHT BROWN MEDIUM TO COARSE SAND WITH GRAVEL, COBBLES AND STONES  
  
NO BEDROCK  
WATER 96"  
MOTTLING 31"  
ROOTS 28"

TEST HOLES RECORDED BY ALYSSA BROCHU,  
JULY 12 2022

**TH #2E**  
0-13" TOPSOIL, BROWN FINE SANDY LOAM  
13-47" SUBSOIL, YELLOW BROWN FINE SANDY LOAM  
47-98" LIGHT BROWN MEDIUM SAND WITH GRAVEL AND COBBLES  
  
NO BEDROCK  
NO WATER  
NO MOTTLING  
ROOTS 37"

**TH #2J**  
0-10" TOPSOIL, DARK BROWN FINE SANDY LOAM  
10-38" SUBSOIL, YELLOW BROWN FINE SANDY LOAM WITH GRAVEL AND COBBLES  
38-102" LIGHT BROWN MEDIUM TO COARSE SAND WITH GRAVEL, COBBLES AND STONES  
  
NO BEDROCK  
NO WATER  
NO MOTTLING  
ROOTS 27"

**TH #2I**  
0-11" TOPSOIL, BROWN SANDY LOAM  
11-37" SUBSOIL, YELLOW BROWN FINE SANDY LOAM  
37-100" LIGHT BROWN DENSE LOAM SAND WITH GRAVEL, COBBLES, AND STONES  
  
NO BEDROCK  
WATER 73"  
MOTTLING 24"  
ROOTS 23"

**TH #2K**  
0-11" TOPSOIL, BROWN SANDY LOAM  
11-37" SUBSOIL, YELLOW BROWN FINE SANDY LOAM  
37-100" LIGHT BROWN DENSE LOAM SAND WITH GRAVEL, COBBLES, AND STONES  
  
NO BEDROCK  
WATER 73"  
MOTTLING 24"  
ROOTS 23"

**TH #2L**  
0-11" TOPSOIL, BROWN SANDY LOAM  
11-37" SUBSOIL, YELLOW BROWN FINE SANDY LOAM  
37-100" LIGHT BROWN DENSE LOAM SAND WITH GRAVEL, COBBLES, AND STONES  
  
NO BEDROCK  
WATER 73"  
MOTTLING 24"  
ROOTS 23"

**TH #2M**  
0-11" TOPSOIL, BROWN SANDY LOAM  
11-37" SUBSOIL, YELLOW BROWN FINE SANDY LOAM  
37-100" LIGHT BROWN DENSE LOAM SAND WITH GRAVEL, COBBLES, AND STONES  
  
NO BEDROCK  
WATER 73"  
MOTTLING 24"  
ROOTS 23"

**TH #2H**  
0-8" TOPSOIL, DARK BROWN FINE SANDY LOAM  
8-36" SUBSOIL, YELLOW BROWN FINE SANDY LOAM  
36-100" BROWN LOAMY SAND WITH COBBLES AND GRAVEL  
  
STONE THROUGHOUT ALL LAYERS  
NO BEDROCK  
NO WATER  
MOTTLING 44"  
ROOTS 28"

**TH #2I**  
0-13" TOPSOIL, DARK BROWN FINE SANDY LOAM  
13-48" SUBSOIL, YELLOW BROWN AND BROWN SANDY LOAM  
48-99" BROWN SANDY LOAM WITH GRAVEL AND COBBLES  
  
NO BEDROCK  
NO WATER  
MOTTLING 32"  
ROOTS 27"

**TH #2J**  
0-10" TOPSOIL, DARK BROWN FINE SANDY LOAM  
10-38" SUBSOIL, YELLOW BROWN FINE SANDY LOAM WITH GRAVEL AND COBBLES  
38-102" LIGHT BROWN MEDIUM TO COARSE SAND WITH GRAVEL, COBBLES AND STONES  
  
NO BEDROCK  
NO WATER  
NO MOTTLING  
ROOTS 37"

TEST HOLES RECORDED BY ALYSSA BROCHU,  
JULY 12 2022

**TH #3I**  
0-11" TOPSOIL, BROWN FINE SANDY LOAM  
11-29" SUBSOIL, YELLOW BROWN FINE SANDY LOAM  
29-97" LIGHT BROWN MEDIUM TO COARSE SAND WITH GRAVEL, COBBLES AND STONES  
  
NO BEDROCK  
NO WATER  
NO MOTTLING  
ROOTS 25"

**TH #3J**  
0-7" TOPSOIL, BROWN FINE SANDY LOAM  
7-25" SUBSOIL, YELLOW BROWN FINE SANDY LOAM  
25-96" LIGHT BROWN MEDIUM TO COARSE SAND WITH GRAVEL, COBBLES, AND STONES  
  
NO BEDROCK  
NO WATER  
NO MOTTLING  
ROOTS 22"

**TH #3K**  
0-18" TOPSOIL, DARK BROWN FINE SANDY LOAM  
18-32" SUBSOIL, YELLOW BROWN FINE SANDY LOAM WITH COBBLES AND STONES  
32-59" GREY SILT WITH BROWN MOTTLES  
59-98" BROWN AND GREY MEDIUM TO COARSE SAND WITH GRAVEL AND STONES  
  
NO BEDROCK  
WATER 78"  
MOTTLING 32"  
ROOTS 18"

**TH #3L**  
0-11" TOPSOIL, BROWN FINE SANDY LOAM  
11-37" SUBSOIL, YELLOW BROWN FINE SANDY LOAM  
37-93" LIGHT BROWN MEDIUM TO COARSE SAND WITH GRAVEL, COBBLES AND STONES  
  
NO BEDROCK  
WATER 78"  
MOTTLING 32"  
ROOTS 18"

**TH #3M**  
0-11" TOPSOIL, BROWN FINE SANDY LOAM  
11-37" SUBSOIL, YELLOW BROWN FINE SANDY LOAM  
37-93" LIGHT BROWN MEDIUM TO COARSE SAND WITH GRAVEL, COBBLES AND STONES  
  
NO BEDROCK  
WATER 78"  
MOTTLING 32"  
ROOTS 18"

**TH #3N**  
0-11" TOPSOIL, BROWN FINE SANDY LOAM  
11-37" SUBSOIL, YELLOW BROWN FINE SANDY LOAM  
37-93" LIGHT BROWN MEDIUM TO COARSE SAND WITH GRAVEL, COBBLES AND STONES  
  
NO BEDROCK  
WATER 78"  
MOTTLING 32"  
ROOTS 18"

**TH #4H**  
0-8" TOPSOIL, DARK BROWN FINE SANDY LOAM  
8-36" SUBSOIL, YELLOW BROWN FINE SANDY LOAM  
36-100" BROWN LOAMY SAND WITH COBBLES AND GRAVEL  
  
STONE THROUGHOUT ALL LAYERS  
NO BEDROCK  
NO WATER  
MOTTLING 44"  
ROOTS 28"

**TH #4I**  
0-13" TOPSOIL, DARK BROWN FINE SANDY LOAM  
13-48" SUBSOIL, YELLOW BROWN AND BROWN SANDY LOAM  
48-99" BROWN SANDY LOAM WITH GRAVEL AND COBBLES  
  
NO BEDROCK  
NO WATER  
MOTTLING 32"  
ROOTS 27"

**TH #4J**  
0-10" TOPSOIL, DARK BROWN FINE SANDY LOAM  
10-38" SUBSOIL, YELLOW BROWN FINE SANDY LOAM WITH GRAVEL AND COBBLES  
38-102" LIGHT BROWN MEDIUM TO COARSE SAND WITH GRAVEL, COBBLES AND STONES  
  
NO BEDROCK  
NO WATER  
NO MOTTLING  
ROOTS 37"

TEST HOLES RECORDED BY ALYSSA BROCHU,  
JULY 12 2022

**TH #4K**  
0-11" TOPSOIL, BROWN FINE SANDY LOAM  
11-29" SUBSOIL, YELLOW BROWN FINE SANDY LOAM  
29-97" LIGHT BROWN MEDIUM TO COARSE SAND WITH GRAVEL, COBBLES AND STONES  
  
NO BEDROCK  
NO WATER  
NO MOTTLING  
ROOTS 25"

**TH #4L**  
0-7" TOPSOIL, BROWN FINE SANDY LOAM  
7-25" SUBSOIL, YELLOW BROWN FINE SANDY LOAM  
25-96" LIGHT BROWN MEDIUM TO COARSE SAND WITH GRAVEL, COBBLES, AND STONES  
  
NO BEDROCK  
NO WATER  
NO MOTTLING  
ROOTS 22"

**TH #4M**  
0-11" TOPSOIL, BROWN FINE SANDY LOAM  
11-37" SUBSOIL, YELLOW BROWN FINE SANDY LOAM  
37-93" LIGHT BROWN MEDIUM TO COARSE SAND WITH GRAVEL, COBBLES AND STONES  
  
NO BEDROCK  
WATER 78"  
MOTTLING 32"  
ROOTS 18"

**TH #4N**  
0-11" TOPSOIL, BROWN FINE SANDY LOAM  
11-37" SUBSOIL, YELLOW BROWN FINE SANDY LOAM  
37-93" LIGHT BROWN MEDIUM TO COARSE SAND WITH GRAVEL, COBBLES AND STONES  
  
NO BEDROCK  
WATER 78"  
MOTTLING 32"  
ROOTS 18"

**TH #4O**  
0-11" TOPSOIL, BROWN FINE SANDY LOAM  
11-37" SUBSOIL, YELLOW BROWN FINE SANDY LOAM  
37-93" LIGHT BROWN MEDIUM TO COARSE SAND WITH GRAVEL, COBBLES AND STONES  
  
NO BEDROCK  
WATER 78"  
MOTTLING 32"  
ROOTS 18"

**TH #4P**  
0-11" TOPSOIL, BROWN FINE SANDY LOAM  
11-37" SUBSOIL, YELLOW BROWN FINE SANDY LOAM  
37-93" LIGHT BROWN MEDIUM TO COARSE SAND WITH GRAVEL, COBBLES AND STONES  
  
NO BEDROCK  
WATER 78"  
MOTTLING 32"  
ROOTS 18"

**CLA Engineers, Inc.**  
CIVIL • STRUCTURAL • SURVEYING

317 Main Street Norwich, CT 06360  
(860) 886-1966

**PERC TEST DATA**

**PERC #1 6/02/2022**  
PRE-SOAK, 11:50 AM  
DRAINED AT 12:38 PM  
INTERVAL: 12-21"

TIME	DEPTH (IN)	CHANGE (IN)
12:45	12	
12:49	14	2.0
12:53	15	1.0
12:57	16	1.0
1:01	17	1.0
1:05	17.5	0.5
1:09	18.5	1.0
1:13	18.75	0.25
1:17	19.5	0.75
1:21	20	0.5
1:25	20.75	0.75
1:29	21	0.25

END OF TEST

MIN=1:17 TO 1:25 = 8 MIN  
IN=19.5" TO 20.75" = 1.25"  
8 MIN/1.25" = 6.4 MPI

**PERC #2 6/02/2022**  
PRE-SOAK, 11:03 AM  
DRAINED AT 11:54 AM  
INTERVAL: 18-29.5"

TIME	DEPTH (IN)	CHANGE (IN)
1:38	18	
1:42	20	2
1:46	21.5	1.5
1:50	22.5	1.0
1:54	23.5	1.0
1:58	24.25	0.75
2:02	25	0.5
2:06	25.5	0.5
2:10	26.25	0.75
2:14	26.75	0.5
2:18	27.25	0.5
2:22	27.5	0.25
2:26	28	0.5
2:30	28.5	0.5
2:34	29	0.5
2:38	29.5	0.5

END OF TEST

MIN=2:26 TO 2:38 = 12 MIN  
IN=28" TO 29.5" = 1.5"  
12 MIN/1.5" = 8.0 MPI

**PERC #2-A 7/12/2022**  
PRE-SOAK, 1:14 PM  
DRAINED AT 1:30 PM  
INTERVAL: 12-24"

TIME	DEPTH (IN)	CHANGE (IN)
5:55	12	
5:56	13.25	1.25
5:57	14.5	1.25
5:58	15	0.75
5:59	15.75	0.75
6:00	16.25	0.5
6:01	16.75	0.5
6:02	17.25	0.5
6:03	17.5	0.25
6:04	18	0.5
6:05	18.25	0.25
6:06	18.75	0.5
6:07	19	0.25
6:08	19.25	0.25
6:09	19.75	0.5
6:10	20	0.25
6:11	20.25	0.25
6:12	20.5	0.25
6:13	20.75	0.25
6:14	21	0.25
6:15	21.25	0.25
6:16	21.5	0.25
6:17	21.75	0.25
6:18	22	0.25
6:19	22.25	0.25
6:20	22.5	0.25
6:21	22.75	0.25
6:22	23.75	0.5
6:23	24	0.25

END OF TEST

MIN=6:03 TO 6:20 = 17 MIN  
IN=17.5" TO 22.5" = 5"  
17 MIN/5" = 3.4 MPI

**PERC #2-B 7/12/2022**  
PRE-SOAK, 1:24 PM  
DRAINED AT 1:45 PM  
INTERVAL: 12-24"

TIME	DEPTH (IN)	CHANGE (IN)
5:20	12	
5:21	13	1.0
5:22	13.75	0.75
5:23	14	0.25
5:24	14.5	0.5
5:25	15	0.5
5:26	15.5	0.5
5:27	16	0.5
5:28	16.25	0.25
5:29	16.75	0.5
5:30	17	0.25
5:31	17.25	0.25
5:32	17.5	0.25
5:32	17.75	0.25
5:33	18	0.25
5:34	18.25	0.25
5:35	18.5	0.25
5:36	18.75	0.25
5:37	19	0.25
5:38	19.25	0.25
5:39	19.75	0.5
5:40	19.75	0.5
5:41	20	0.25
5:42	20	0.25
5:43	20.25	0.25
5:44	20.5	0.25
5:45	20.75	0.25
5:46	21	0.25
5:47	21.25	0.25
5:48	21.5	0.25
5:49	22	0.5
5:50	22.25	0.25
5:51	22.75	0.5
5:52	24	1.25

END OF TEST

MIN=5:28 TO 5:50 = 22 MIN  
IN=16.25" TO 22.25" = 6"  
22 MIN/6" = 3.7 MPI

**PERC #2-C 7/21/2022**  
PRE-SOAK, 9:39 AM  
DRAINED AT 10:25 AM  
INTERVAL: 12-24"

TIME	DEPTH (IN)	CHANGE (IN)
10:32	12	
10:36	13.25	1.25
10:40	14.25	1.0
10:44	15	0.75
10:48	15.5	0.5
10:52	16	0.5
10:56	16.5	0.5
11:00	17	0.5
11:04	17.25	0.25
11:08	17.75	0.5
11:12	18.25	0.5
11:16	18.5	0.25
11:20	19	0.5
11:24	19.25	0.25
11:28	19.5	0.25
11:32	19.75	0.25
11:36	20	0.25
11:40	20.25	0.25
11:44	20.5	0.25
11:48	20.75	0.25
11:52	21.25	0.5
11:56	21.5	0.25
12:00	21.5	0.25
12:04	21.75	0.25
12:08	22	0.25
12:12	22.25	0.25
12:16	22.75	0.5
12:20	24	1.25

END OF TEST

MIN=11:16 TO 11:56 = 40 MIN  
IN=18.5" TO 21.5" = 3"  
40 MIN/3" = 13.3 MPI

**PERC #6-B 7/12/2022**  
PRE-SOAK, 10:43 AM  
DRAINED AT 11:02 AM  
INTERVAL: 12-24"

TIME	DEPTH (IN)	CHANGE (IN)
11:30	12	
11:31	13	1.0
11:32	13.75	0.75
11:33	14.5	0.75
11:34	15	0.5
11:35	15.5	0.5
11:36	16	0.5
11:37	16.5	0.5
11:38	17	0.5
11:39	17.5	0.5
11:40	18	0.5
11:41	18.25	0.25
11:42	18.5	0.25
11:43	18.75	0.25
11:44	19	0.25
11:45	19.25	0.25
11:46	19.5	0.25
11:47	20	0.5
11:48	20.25	0.25
11:49	20.5	0.25
11:50	20.5	0.25
11:51	20.75	0.25
11:52	20.75	0.25
11:53	21	0.25
11:54	21	0.25
11:55	21.25	0.25
11:56	21.5	0.25
11:57	21.5	0.25
11:58	21.75	0.25
11:59	22	0.25
12:00	22	0.25
12:01	22.25	0.25
12:02	22.5	0.25
12:03	22.5	0.25
12:04	22.75	0.25
12:05	23	0.25
12:06	24	1.0

END OF TEST

MIN=11:41 TO 12:05 = 24 MIN  
IN=18.25" TO 23" = 4.75"  
24 MIN/4.75" = 5.0 MPI

**PERC #7-A 6/16/2022**  
PRE-SOAK, 11:23 AM  
DRAINED AT 12:04 PM  
INTERVAL: 19-34.5"

TIME	DEPTH (IN)	CHANGE (IN)
1:09	19	
1:13	20.5	1.5
1:17	22	1.5
1:21	23.5	1.5
1:25	24.5	1.0
1:29	25.5	1.0
1:33	26.25	0.75
1:37	27	0.75
1:41	27.75	0.75
1:45	28.25	0.5
1:49	29	0.75
1:53	29.75	0.75
1:57	30.25	0.5
2:01	30.75	0.5
2:05	31.25	0.5
2:09	31.75	0.5
2:13	32	0.25
2:17	32.25	0.25
2:21	32.5	0.25
2:25	32.75	0.25
2:29	33.25	0.5
2:33	33.75	0.5

END OF TEST

MIN=1:57 TO 2:09 = 12 MIN  
IN=30.25" TO 31.75" = 1.5"  
12 MIN/1.5" = 8.0 MPI

**PERC #7-B 6/16/2022**  
PRE-SOAK, 10:52 AM  
DRAINED AT 12:15 PM  
INTERVAL: 9.5-25.5"

TIME	DEPTH (IN)	CHANGE (IN)
1:07	9.5	
1:11	12.5	3.0
1:15	13.5	1.0
1:19	14.5	1.0
1:23	15.5	1.0
1:27	16.5	1.0
1:31	17	0.5
1:35	17.5	0.5
1:39	18.25	0.75
1:43	19	0.75
1:47	19.75	0.75
1:51	20	0.25
1:55	20.5	0.5
1:59	21	0.5
2:03	21.25	0.25
2:07	21.5	0.25
2:11	21.75	0.25
2:15	22	0.25
2:19	22.5	0.5
2:23	22.75	0.25
2:27	23	0.25
2:31	23.5	0.5
2:35	23.75	0.25
2:39	24	0.25
2:43	24.25	0.25
2:47	24.5	0.25
2:51	24.75	0.25
2:55	25	0.25
2:59	25.25	0.25
3:03	25.5	0.25

END OF TEST

MIN=2:35 TO 3:03 = 28 MIN  
IN=23.75" TO 25.5" = 1.75"  
12 MIN/1.5" = 16.0 MPI

**PERC #7-C 6/24/2022**  
PRE-SOAK, 10:48 AM  
DRAINED AT 12:00 PM  
INTERVAL: 11.25-23.25"

TIME	DEPTH (IN)	CHANGE (IN)
12:56	11.25	
1:00	12.75	1.5
1:04	13.75	1.0
1:08	14.75	1.0
1:12	15.75	1.0
1:16	16.25	0.5
1:20	17	0.75
1:24	17.75	0.75
1:28	18.25	0.5
1:32	18.5	0.25
1:36	19.5	0.75
1:40	20	0.25
1:44	20.25	0.5
1:48	20.5	0.25
1:52	21	0.25
1:56	21.5	0.5
2:00	21.75	0.5
2:04	22	0.25
2:08	22.25	0.25
2:12	22.5	0.25
2:16	22.75	0.25
2:20	23	0.25
2:24	23.25	0.25

END OF TEST

MIN=1:40 TO 2:20 = 40 MIN  
IN=20" TO 23" = 3"  
40 MIN/3" = 13.3 MPI

**PERC #8-A 7/13/2022**  
PRE-SOAK, 11:31 AM  
DRAINED AT 12:00 PM  
INTERVAL: 12-24"

TIME	DEPTH (IN)	CHANGE (IN)
12:14	12	
12:17	13	1.0
12:20	14	1.0
12:23	15	1.0
12:26	15.75	0.75
12:29	16.25	0.5
12:32	17	0.75
12:35	17.5	0.5
12:38	18	0.5
12:41	18.5	0.5
12:44	19	0.5
12:47	19.5	0.5
12:50	19.75	0.25
12:53	20	0.25
12:56	20.5	0.5
12:59	21	0.5
1:02	21.25	0.25
1:05	22.25	1.0
1:08	24	1.75

END OF TEST

MIN=12:35 TO 1:02 = 27 MIN  
IN=17.5" TO 21.25" = 3.75"  
27 MIN/3.75" = 7.2 MPI

**PERC #3-A 6/03/2022**  
PRE-SOAK, 3:17 PM  
DRAINED AT 4:11 PM  
INTERVAL: 18-30"

TIME	DEPTH (IN)	CHANGE (IN)
9:38	18	
9:42	19	2
9:46	20.5	1.5
9:50	21.5	1.0
9:54	22.5	1.0
9:58	23.5	0.75
10:02	24	0.5
10:06	25	0.5
10:10	26	0.75
10:14	26.5	0.5
10:18	27	0.5
10:22	27.25	0.25
10:26	27.75	0.5
10:30	28.5	0.5
10:34	29	0.5
10:38	29.5	0.5
10:38	30	0.5

END OF TEST

MIN=10:26 TO 10:38 = 12 MIN  
IN=27.75" TO 30" = 2.25"  
12 MIN/2.25" = 5.33 MPI

**PERC #3-B 6/24/2022**  
PRE-SOAK, 12:03 PM  
DRAINED AT 12:50 PM  
INTERVAL: 13-25"

TIME	DEPTH (IN)	CHANGE (IN)
2:56	13	
3:00	15.5	2.5
3:04	16.5	1.0
3:08	17.5	1.0
3:12	18.5	1.0
3:16	19.25	0.75
3:20	20	0.75
3:24	20.75	0.75
3:28	21	0.25
3:32	21.25	0.25
3:36	21.75	0.5
3:40	22	0.25
3:44	22.25	0.25
3:48	22.5	0.25
3:52	22.5	1.5
3:56	25	1.0

END OF TEST

MIN=3:28 TO 3:48 = 20 MIN  
IN=21" TO 22.5" = 1.5"  
20 MIN/1.5" = 13.3 MPI

**PERC #3-C 7/08/2022**  
PRE-SOAK, 2:20 PM  
DRAINED AT 3:00 PM  
INTERVAL: 16.75-28.75"

TIME	DEPTH (IN)	CHANGE (IN)
2:56	16.75	
3:00	19.25	2.5
3:04	20.75	1.5
3:08	22	1.25
3:12	23.25	1.25
3:16	23.75	0.5
3:20	24.75	1.0
3:24	25.25	0.5
3:28	26.25	1.0
3:32	26.75	0.5
3:36	27.25	0.5
3:40	28	0.75
3:44	22.25	0.25
3:48	22.5	0.25
3:52	22.5	1.5
3:56	25	1.0

END OF TEST

MIN=3:16 TO 3:36 = 20 MIN  
IN=23.75" TO 27.25" = 3.5"  
20 MIN/3.5" = 5.7 MPI

**PERC #4-B 6/03/2022**  
PRE-SOAK, 3:45 PM  
DRAINED AT 5:30 PM  
INTERVAL:

### STORMWATER POND PLANTING SCHEDULE

PLANT NAME	NWI WETLAND INDICATOR STATUS	QUANTITY/DESCRIPTION	PLANTING ZONE
Sweetflag ( <i>Acorus americana</i> )	Obligate	100 plugs (to be located by wetland scientist)	Elevation 114 to 118
Blue Flag Iris ( <i>Iris versicolor</i> )	-	100 plugs (to be located by wetland scientist)	Elevation 114 to 118
Burr Reed ( <i>Sparganium americanum</i> )	Obligate	200 plugs (to be located by wetland scientist)	Elevation 114 to 118
<b>SEED MIX</b>			
New England Wetmix	Variable	1 lb/2500 S.F. seed mix to be broadcast over wetland area	Entire basin bottom up to elevation 120

### SEED MIX FOR STORMWATER POND SIDES

**THE NEW ENGLAND EROSION CONTROL/RESTORATION MIX FOR DETENTION BASINS AND MOIST SITES** CONTAINS A SELECTION OF NATIVE GRASSES AND WILDFLOWERS DESIGNED TO COLONIZE RECENTLY DISTURBED SITES WHERE QUICK GROWTH OF VEGETATION IS DESIRED TO STABILIZE THE SOIL SURFACE. IT IS AN EXCELLENT SEED MIX FOR ECOLOGICALLY APPROPRIATE RESTORATIONS ON MOIST SITES THAT REQUIRE QUICK STABILIZATION AS WELL AS LONG-TERM ESTABLISHMENT OF NATIVE VEGETATION. THIS MIX IS PARTICULARLY APPROPRIATE FOR DETENTION BASINS THAT DO NOT NORMALLY HOLD STANDING WATER. SOME PLANTS IN THIS MIX CAN TOLERATE INFREQUENT INUNDATION, BUT NOT CONSTANT FLOODING.

**SEEDING:** THE MIX MAY BE APPLIED BY HYDROSEEDING, BY MECHANICAL SPREADER, BY HYDRO-SEEDING OR ON SMALL SITES IT CAN BE SPREAD BY HAND. WHEN APPLYING ON BARE SOIL, RAKE THE SOIL TO CREATE GROOVES, APPLY SEED, THEN LIGHTLY RAKE OVER. IN NEW ENGLAND, THE BEST RESULTS ARE OBTAINED WITH A SPRING OR EARLY FALL SEEDING. SUMMER AND LATE FALL SEEDING WILL BENEFIT WITH A LIGHT MULCHING OF WEED-FREE STRAW TO CONSERVE MOISTURE. LATE FALL AND WINTER DORMANT SEEDING REQUIRE A SLIGHT INCREASE IN THE SEEDING RATE. FERTILIZATION IS NOT REQUIRED UNLESS THE SOILS ARE PARTICULARLY INFERTILE.

APPLICATION RATE: 35 LBS/ACRE (1250 SQ. FT./LB.)

**SPECIES:** SWITCHGRASS (*Panicum virgatum*), VIRGINIA WILD RYE (*Elymus virginicus*), CREEPING RED FESCUE (*Festuca rubra*), FOX SEDGE (*Carex vulpinoidea*), CREEPING BENTGRASS (*Agrostis stolonifera*), SOFT RUSH (*Juncus effusus*), NEW ENGLAND ASTER (*Aster novae-angliae*), GRASS-LEAVED GOLDENROD (*Euthamia graminifolia*), GREEN BULRUSH (*Scirpus atrovirens*), BONESET (*Eupatorium perfoliatum*), BLUE VERVAIN (*Verbena hastata*) UPLAND BENTGRASS (*Agrostis perennans*), BIG BLUESTEM, NIAGRA (*Andropogon gerardii*), SENSITIVE FERN (*Onoclea sensibilis*), LITTLE BLUESTEM (*Schizachyrium scoparium*), WOOLGRASS (*Scirpus cyperinus*).

### SEED MIX FOR PERIMETER SLOPES

The **New England Native Warm Season Grass Mix** contains a broad spectrum of native warm season grasses to ensure that a variety of the species will survive in the sandy and droughty conditions typically found along roadsides, gravel mine reclamation areas, and other low-fertility, well-drained soil conditions. This mix is somewhat slow to germinate and establish during the first year of planting, but it will produce good cover by the end of the second growing season and establish long-living native stands. Cool season rye grass and fescue have been added as a "starter" seed for erosion control. This mix has excellent heat and drought tolerance, and grows well in well-drained soils. Warm season grasses provide excellent year-round cover and food for wildlife, particularly as winter cover for small animals.

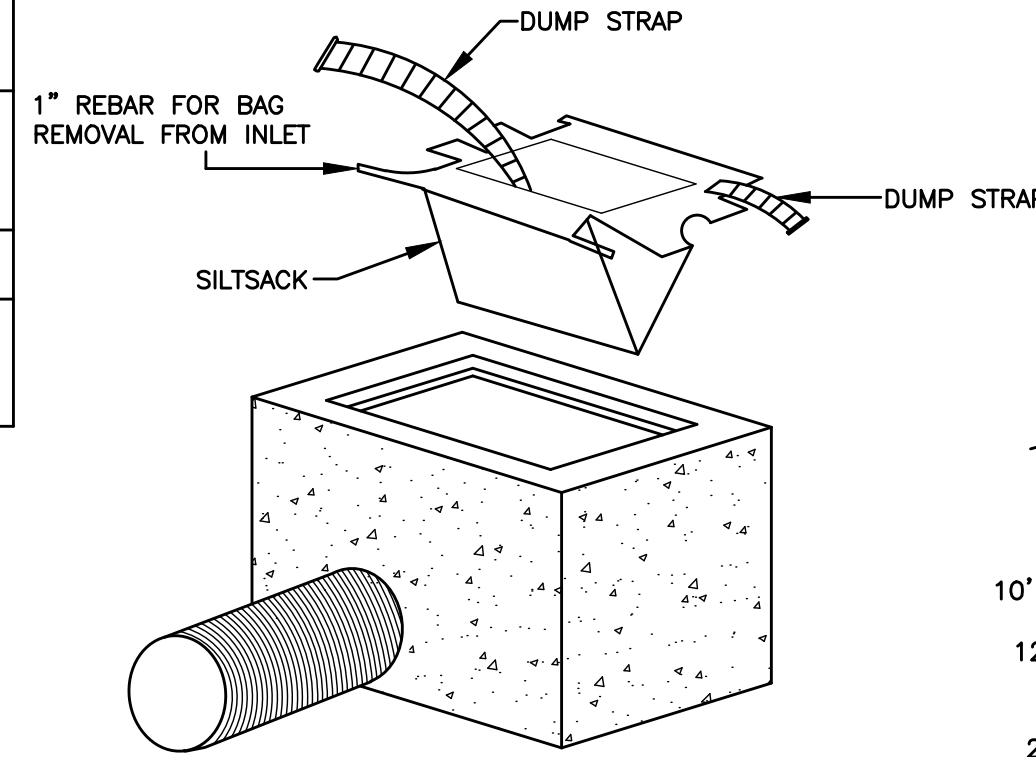
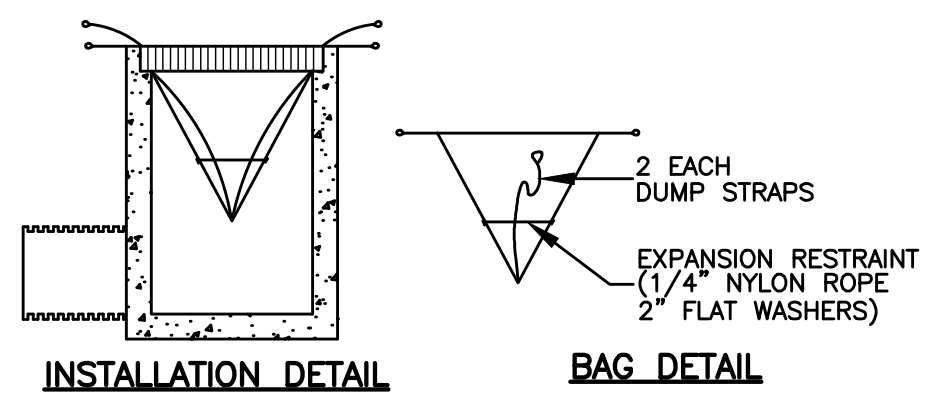
**Seeding:** This mix may be applied by hydro seeding on slopes, by mechanical spreader, or on small sites it may be spread by hand. In New England, the best results are obtained with a mid-late Spring seeding. Application Rate: 23 LBS/ACRE (1900 SQ. FT./LB)

### PLANTING SPECIFICATIONS

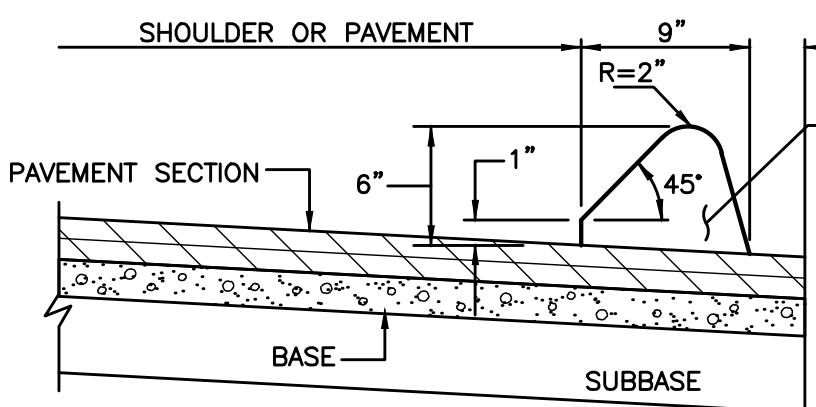
- All plants shall be nursery grown and conform to the latest edition of ANSI 260.1, AMERICAN STANDARD FOR NURSERY STOCK.
- No substitution of plant materials will be allowed without the prior written consent of the Project Owner and the Town of Waterford planning staff.
- Planting mixture for trees and shrubs:  
1 part dehydrated cow manure or composted organic material  
2 parts peat moss  
3 parts topsoil
- Fertilizer: to be complete plant food with a guaranteed analysis of 10-10-10 unless otherwise approved by the landscape architect. Fertilizer shall contain 50% slow release nitrogen and 50% quick release nitrogen.
- All plant pits must be free draining. Break up the bottom of the hole by fork if necessary to ensure plant has proper drainage.
- Set all plants in center of plant pits, plumb and straight and as detailed on the drawing. All plant material shall bear the same relationship to finished grade as to original planting grade prior to digging. Trees shall be planted with the junction of roots and stem level with finished grade.
- Handle balled and burlapped plants from the ball only. Once positioned in the hole, remove the top 1/3 of the burlap from the root ball without disturbing the roots.
- Face each plant to give the best appearance.
- Do not stake the trees unless directed by the landscape architect.
- Fill plant pits 2/3 their depth with prepared planting mixture, water thoroughly and allow to settle. Complete back-filling, water thoroughly to eliminate any voids and air pockets. Provide additional back-fill as necessary to conform to required elevation and as detailed.
- Form saucer and install mulch over entire plant pit and saucer area as detailed.
- 3 inches shredded hemlock bark mulch or equal shall be used around all trees and shrub plantings.
- All plants and trees shall be guaranteed for a period of one full year after inspection and acceptance by the Owner's representative, and shall have at least 80% healthy growth at the end of the guarantee period.

### STREAM BED RESTORATION NOTES

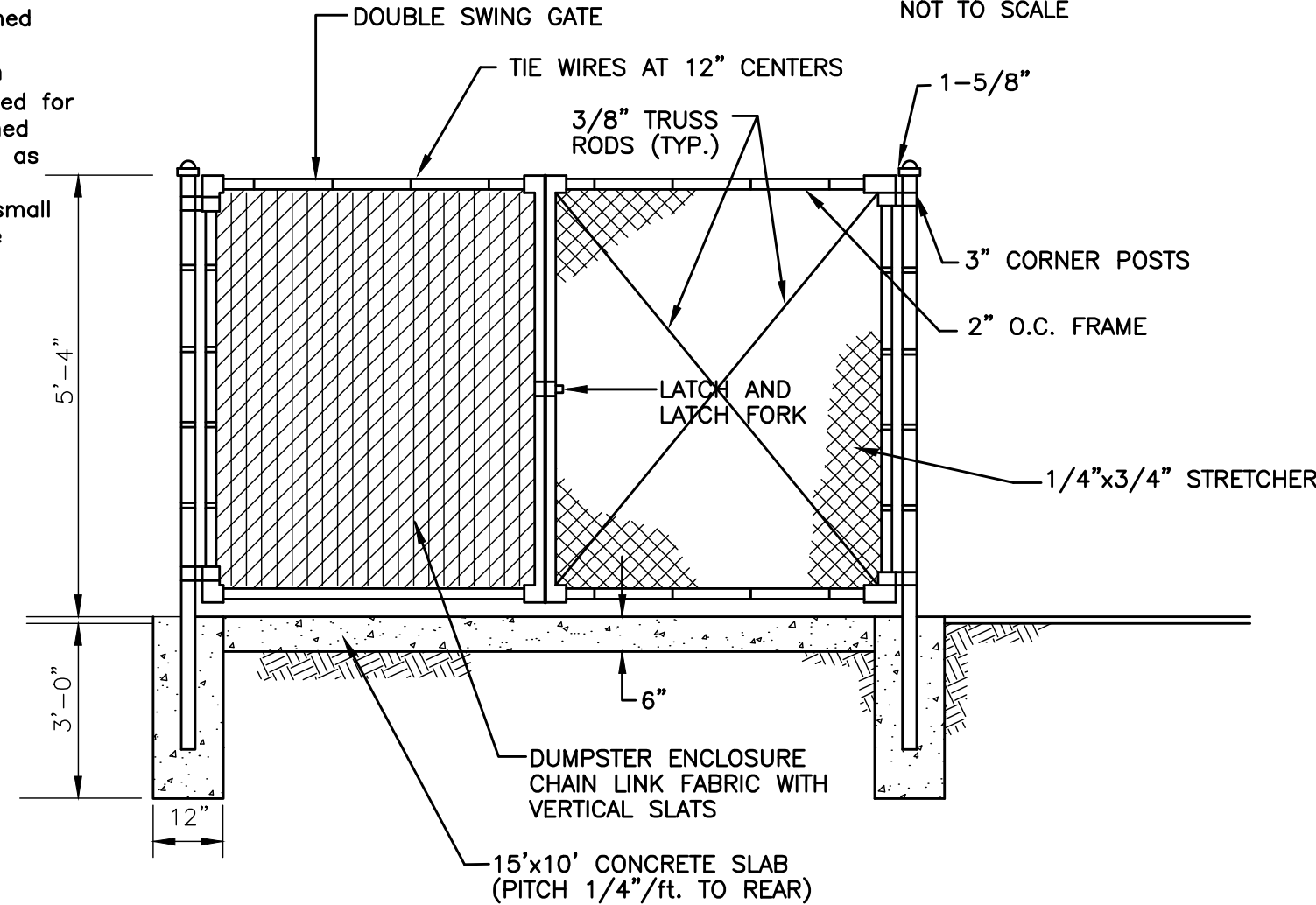
- REMOVE AND STOCKPILE ALL EXISTING SAND, GRAVEL, COBBLE, AND BOULDERS FROM ALL EXCAVATION WITHIN THE EXISTING CHANNEL. REUSE MATERIAL FOR THE 12" NATIVE MATERIAL WITHIN THE BOX CULVERT TO CREATE THE CHANNEL BED.
- CHANNEL RESTORATION/CREATION:  
A. PERFORM WORK DURING LOW OR NO FLOW CONDITIONS. PROVIDE SAND BAG COFFER DAMS AND BYPASS PUMPING AS NEEDED TO COMPLETE WORK.  
B. ROUGH CONTOUR THE SUBGRADE OF THE CHANNEL WITH NATIVE MATERIAL.  
C. SUPPLEMENT SUBGRADE MATERIAL WITH EXISTING SAND OR GRAVEL EXCAVATED FROM THE SITE OR OFFSITE MATERIAL. DO NOT REUSE SILTS, CLAYS, OR ORGANIC MATERIAL WITHIN THE CHANNEL.  
D. THE TOP 12" OF THE CHANNEL MUST BE STOCKPILED NATIVE SAND, GRAVEL, COBBLE, AND BOULDER OVER THE PREPARED SUBGRADE. SUPPLEMENT WITH BED ARMORING AS OUTLINED BELOW.
- SUPPLEMENTAL RANDOM BED ARMORING SHALL BE 3"-12" WEATHERED/ROUNDED STONE PLACED WITHIN THE CHANNEL TO INFILL GAPS IN THE NATIVE MATERIAL.



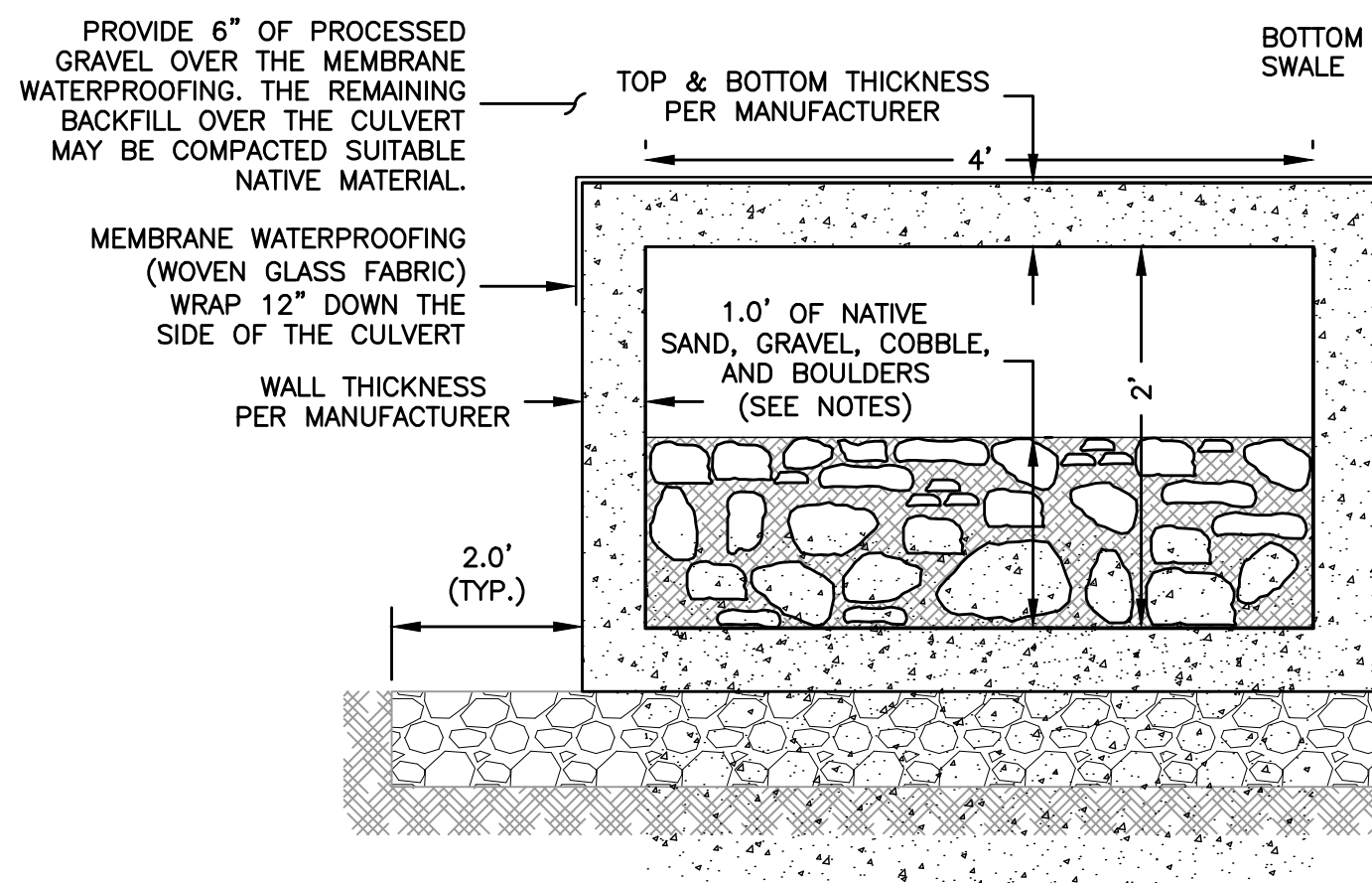
INLET SEDIMENT CONTROL DEVICE DETAIL  
NOT TO SCALE



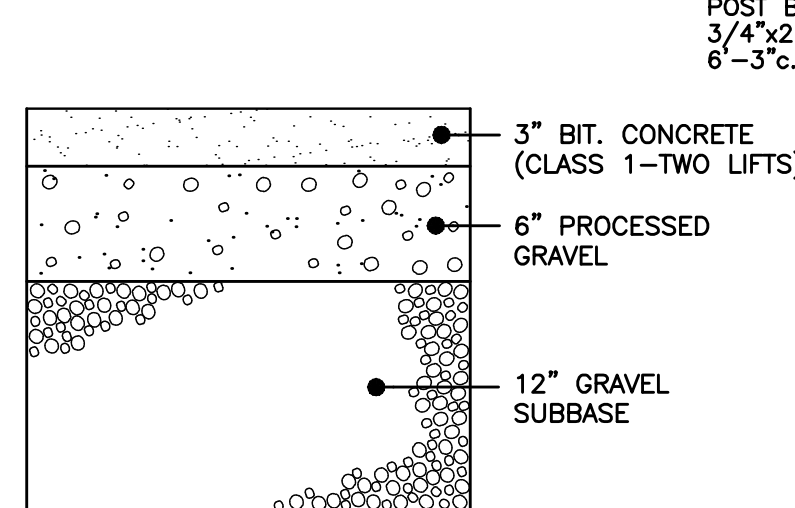
BITUMINOUS CONCRETE LIP CURBING  
NOT TO SCALE



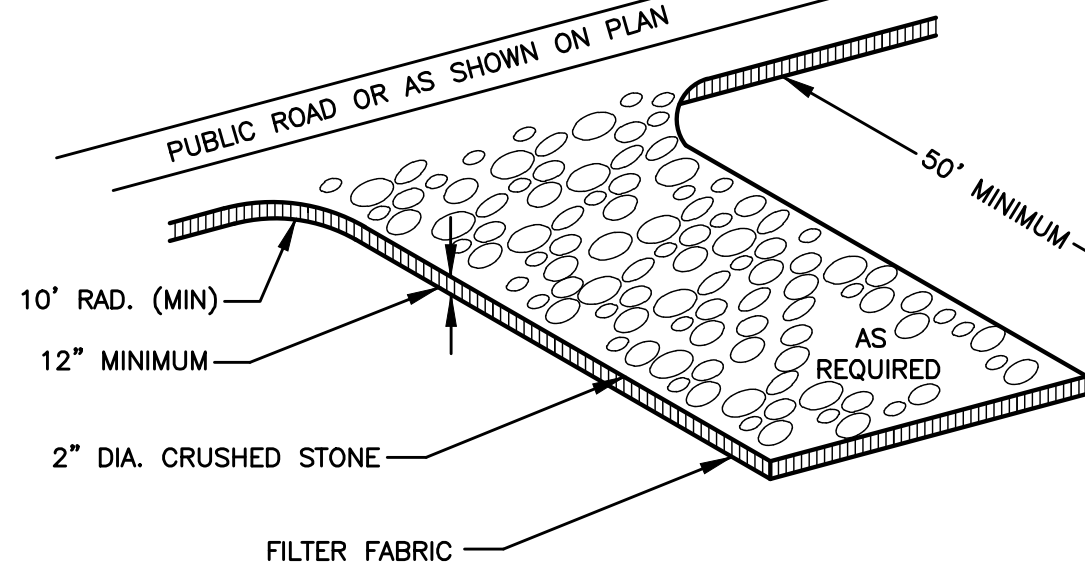
CHAIN LINK FENCE/DUMPSTER ENCLOSURE  
NOT TO SCALE



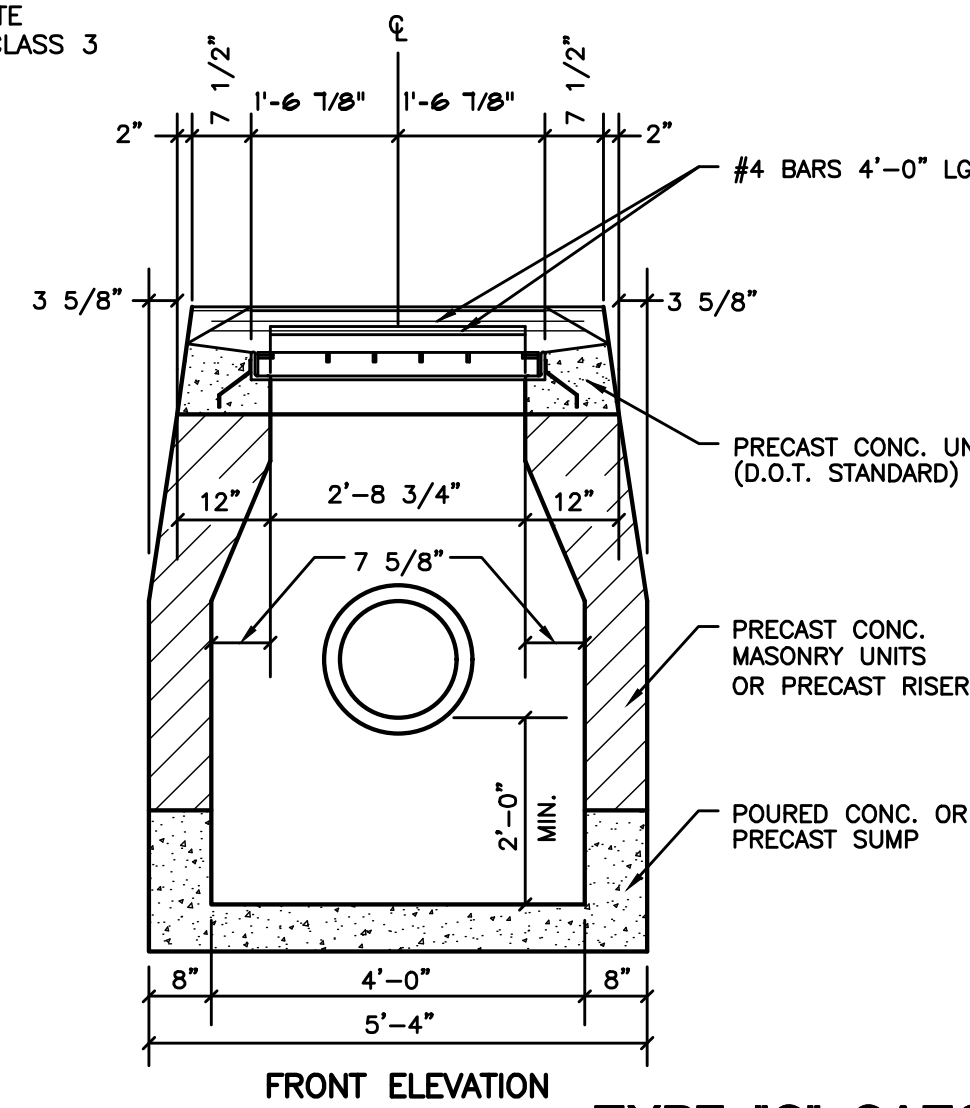
TYPICAL 4-SIDED PRECAST CONCRETE BOX CULVERT SECTION  
NOT TO SCALE



PAVING SECTION  
NOT TO SCALE

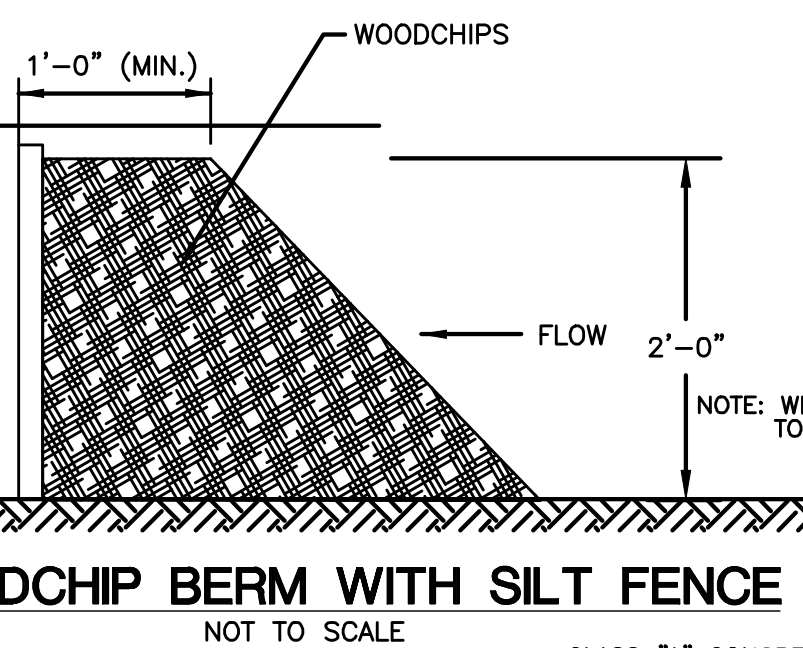


ANTI-TRACKING PAD DETAIL  
NOT TO SCALE

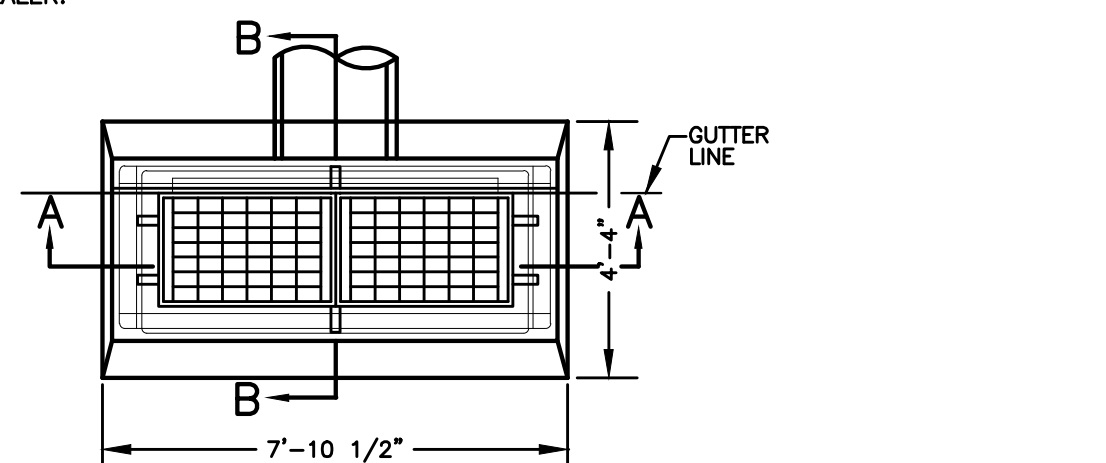


TYPE "C" CATCH BASIN DETAIL  
NOT TO SCALE

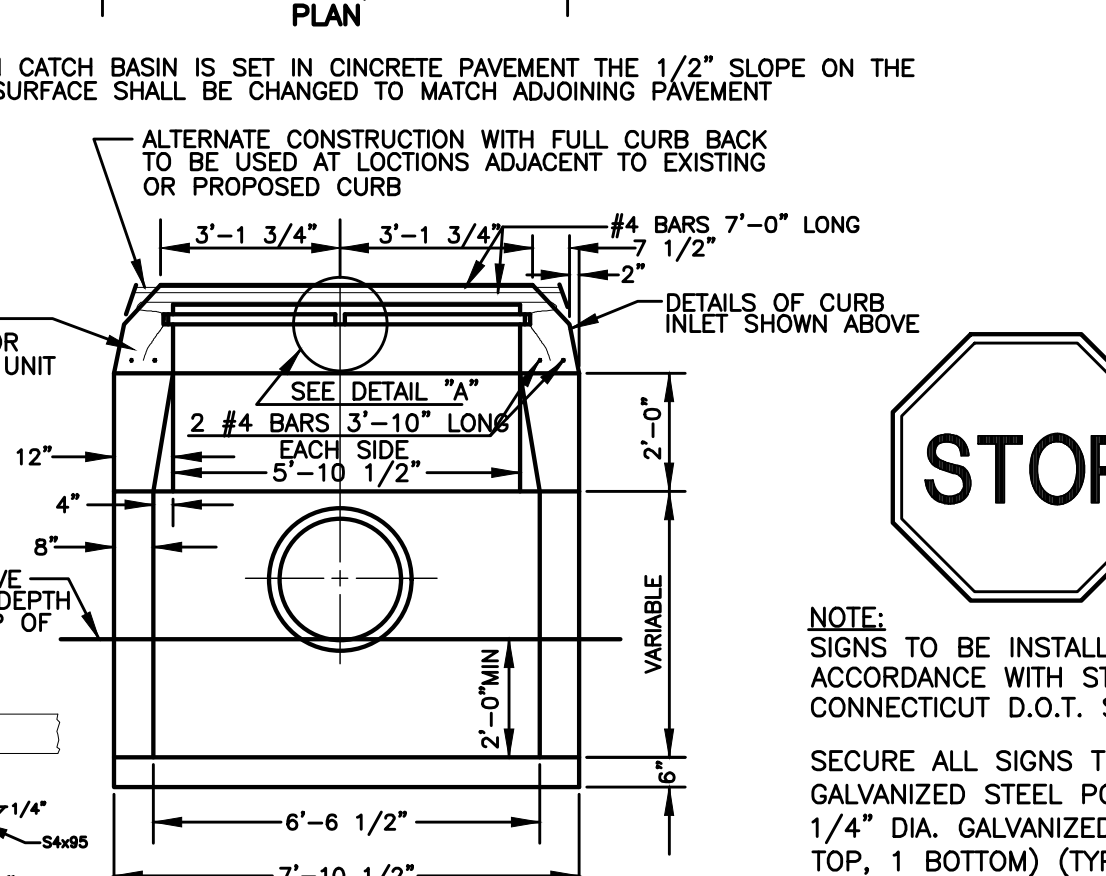
**NOTES:** WHERE CALLED FOR ON SHEET 4, WATER TIGHT CATCH BASINS: SEAL ALL JOINTS WITH BIDCO C-56 PRE-FORMED BUTYL MASTIC JOINT SEALANT AND COAT THE ENTIRE OUTSIDE OF THE STRUCTURE WITH BAY OIL COMPANY EBONY WATERPROOF & CONCRETE SEALER.



WOODCHIP BERM WITH SILT FENCE  
NOT TO SCALE

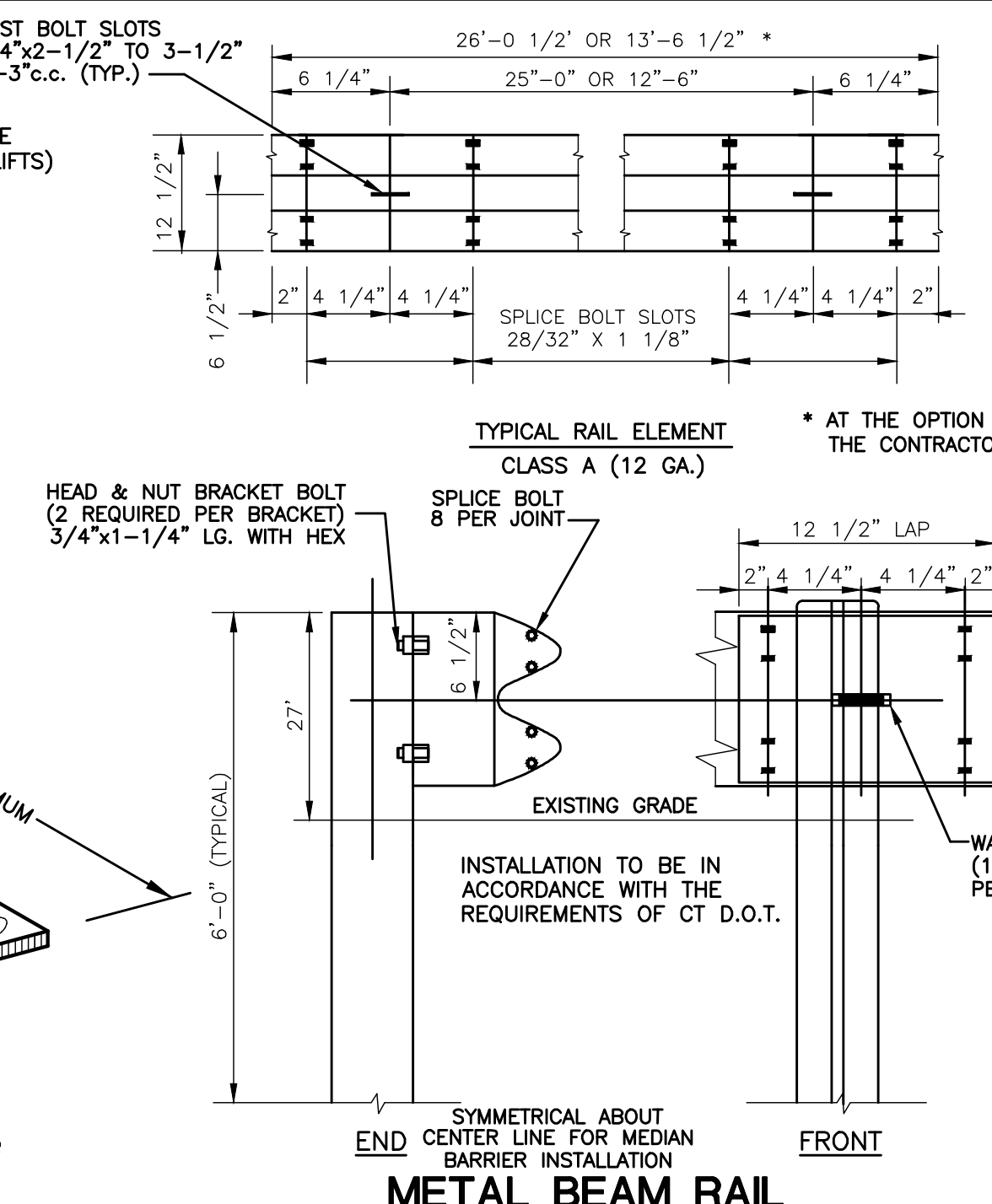


WALLPACK LIGHTING STANDARD  
NOT TO SCALE



TYPE "C" CATCH BASIN DOUBLE GRATE-TYPE 2 DOUBLE CATCH BASIN TYPE "C"  
NOT TO SCALE

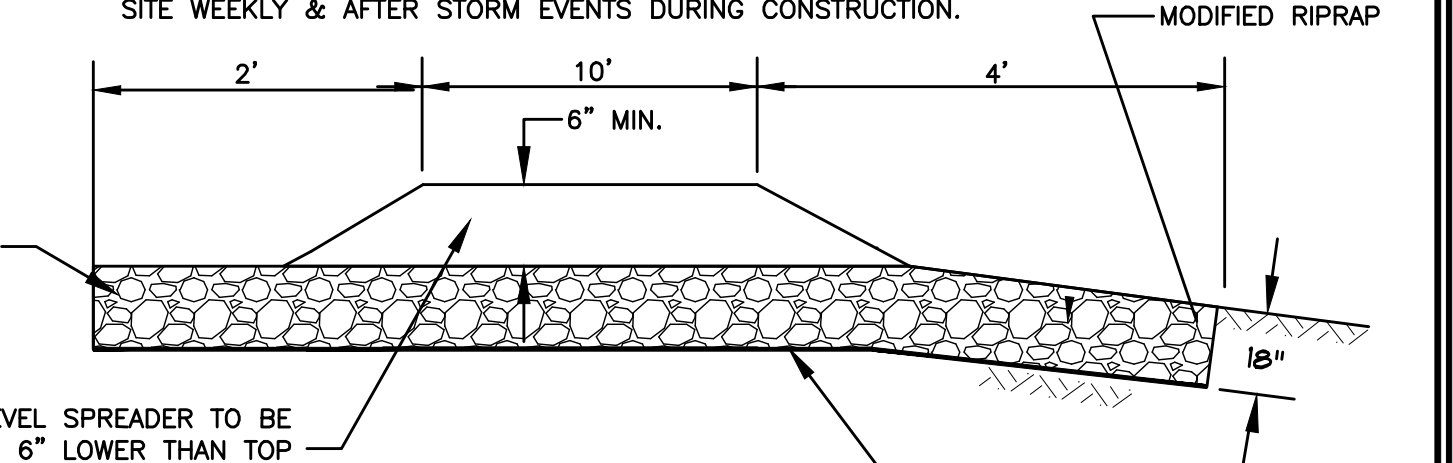
**TRAFFIC SIGNAGE**  
NOT TO SCALE



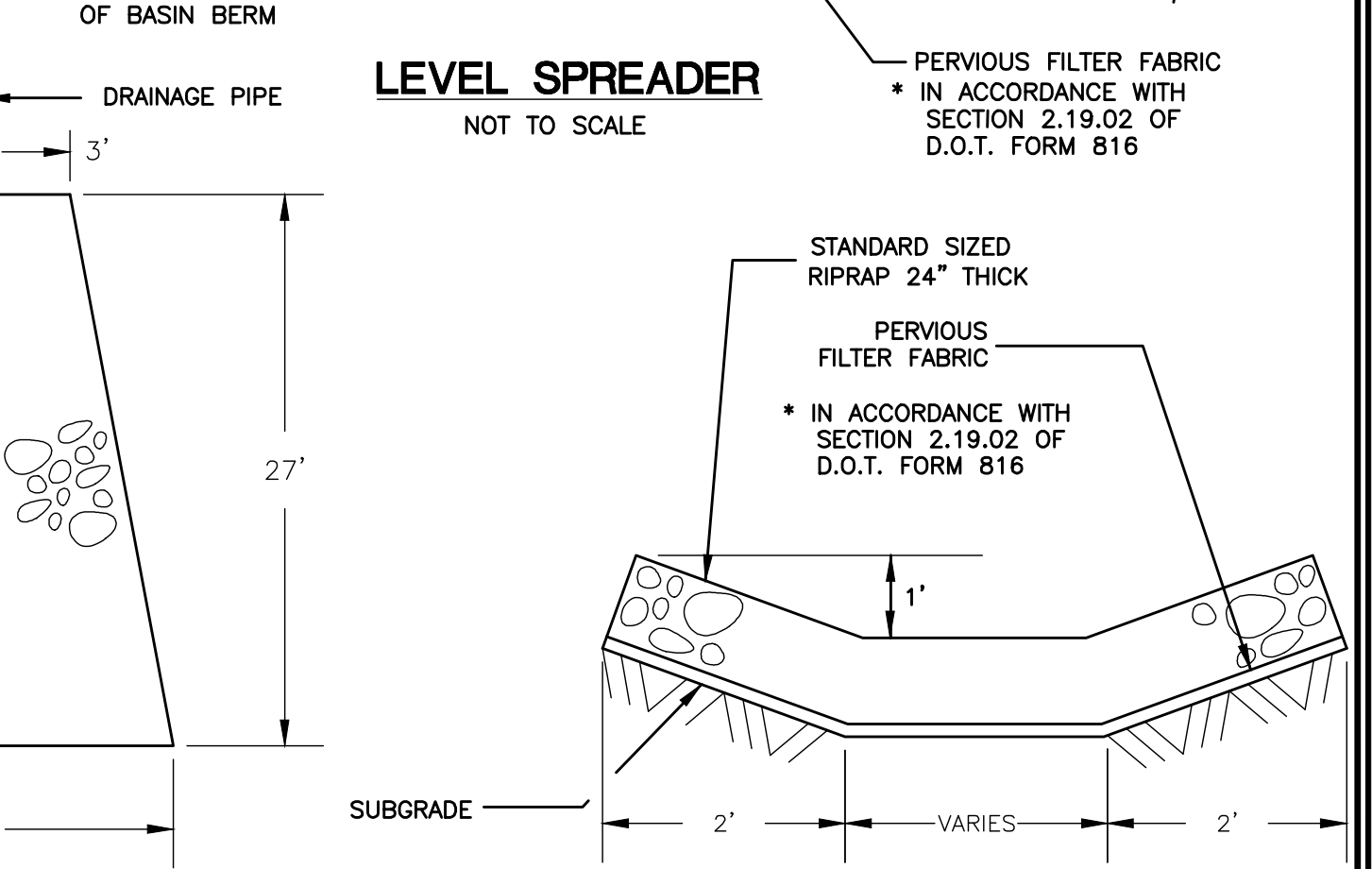
METAL BEAM RAIL  
NOT TO SCALE

### EROSION CONTROL & SEDIMENTATION NARRATIVE

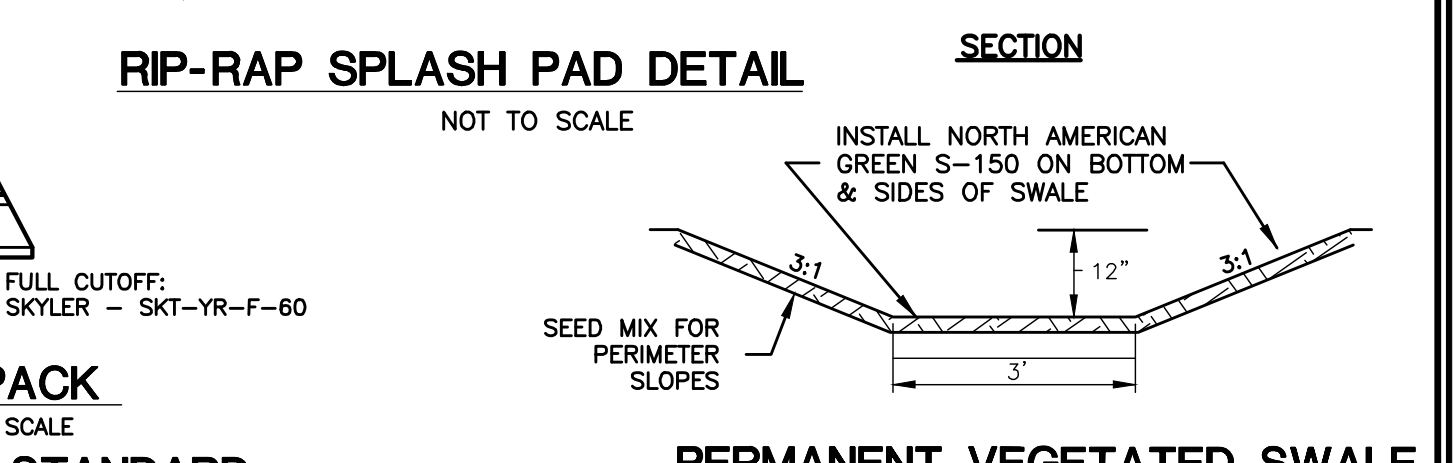
- PRIOR TO THE INSTALLATION OF ANY EROSION AND SEDIMENT CONTROL MEASURES, THE OWNER AND CONTRACTOR SHALL MEET WITH THE TOWN OF SALEM ZONING ENFORCEMENT OFFICER.
- STAKE LIMITS OF CLEARANCE
- THE EROSION AND SEDIMENT CONTROL MEASURES SHALL BE INSTALLED AS SHOWN ON SHEET 4 PRIOR TO SITE DISTURBANCE. ADDITIONAL EROSION & SEDIMENT CONTROL MEASURES SHALL BE INSTALLED IF DETERMINED TO BE NECESSARY BY THE ZONING ENFORCEMENT OFFICER.
- INSTALL CONSTRUCTION ENTRANCE PER DETAIL.
- THE CONTRACTOR SHALL CONTACT THE ZONING ENFORCEMENT OFFICER FOR INSPECTION OF THE SEDIMENT AND EROSION CONTROL MEASURES, PRIOR TO SITE DISTURBANCE. CONSTRUCTION SHALL NOT BEGIN UNTIL SUCH TIME AS THE ZONING ENFORCEMENT OFFICER HAS REVIEWED AND APPROVED THE INSTALLATION OF THE SEDIMENTATION AND EROSION CONTROL MEASURES.
- CONTRACTOR TO INSPECT ALL EROSION AND SEDIMENT CONTROL MEASURES, SEDIMENTATION BASINS & SWALES AT LEAST WEEKLY AND AFTER EVERY STORM EVENT AND REPAIR AND MAINTAIN AS NECESSARY.
- CLEARING & GRUBBING OF THE AREA TO BE GRADED. TOPSOIL TO BE REMOVED & STOCKPILED IN AN AREA OF NEXT BUILDING & SURROUNDED WITH SILTFENCE.
- CONSTRUCT WATER QUALITY BASINS TO FUNCTION AS TEMPORARY SEDIMENT TRAPS PRIOR TO ROUGH GRADING OF THE SITE.
- ROUGH GRADE SITE, EXCAVATE FOR BUILDING FOOTINGS, INSTALL SEPTIC & UTILITIES.
- BUILDING CONSTRUCTION TO PROCEED.
- INSTALL DRAINAGE SYSTEM & FINISH GRADING. INSTALL INLET SEDIMENT CONTROL DEVICES IN CATCH BASINS.
- TOPSOIL SHALL BE RE-APPLIED TO PROVIDE A MINIMUM DEPTH OF FOUR INCHES.
- ALL DISTURBED AREAS SHALL BE SEEDED AND MULCHED. ALL EROSION AND SEDIMENTATION CONTROL MEASURES SHALL REMAIN IN PLACE UNTIL VEGETATION IS RE-ESTABLISHED.
- THE BASIN MUST BE CLEANED OUT & VEGETATION HAS BEEN ESTABLISHED IN THE WATER QUALITY BASIN.
- INSTALLATION OF BIT. CONC. PAVEMENT
- SEEDING SHOULD TAKE PLACE BETWEEN APRIL 1 AND JUNE 1 OR AUGUST 15 AND OCTOBER 1.
- THE FOLLOWING SEEDING MIXTURES SHALL BE PROVIDED ON ALL DISTURBED AREAS.  
KENTUCKY BLUE GRASS 20 LB's/AC  
CREEPING RED FESCUE 20 LB's/AC  
PERENNIAL RYEGRASS 5 LB's/AC
- UNFORESEEN PROBLEMS WHICH ARE ENCOUNTERED IN THE FIELD SHALL BE SOLVED ACCORDING TO CONNECTICUT GUIDELINES FOR SOIL AND SEDIMENT CONTROL.
- A QUALIFIED E&S INSPECTOR SHALL BE HIRED TO INSPECT THE SITE WEEKLY & AFTER STORM EVENTS DURING CONSTRUCTION.



LEVEL SPREADER  
NOT TO SCALE

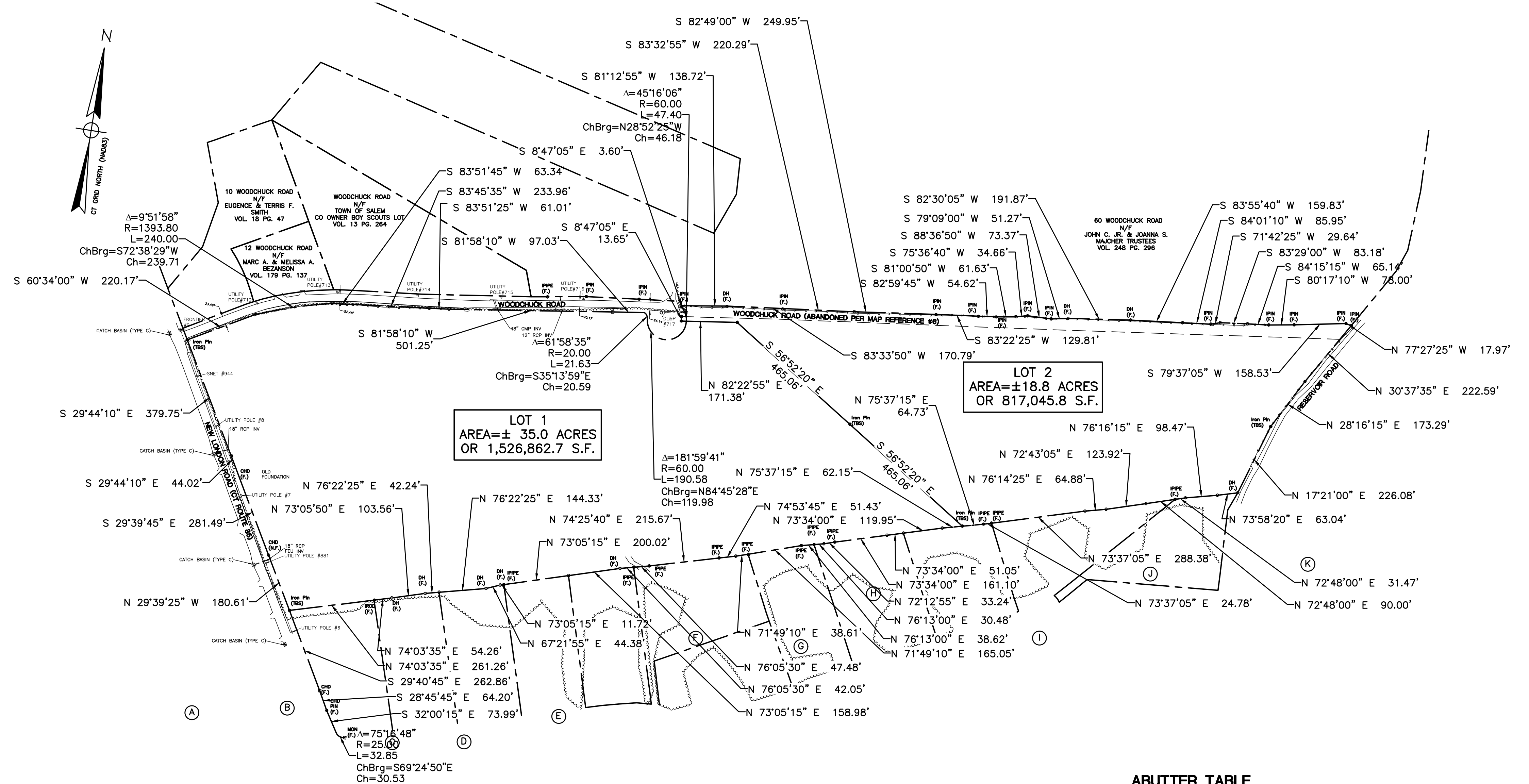


RIP-RAP SPLASH PAD DETAIL  
NOT TO SCALE



PERMANENT VEGETATED SWALE  
NOT TO SCALE

<b>CLA Engineers, Inc.</b> CIVIL • STRUCTURAL • SURVEYING 317 Main Street Norwich, CT 06360 (860) 886-1966 Fax (860) 886-9165		Project No. CLA-7048 Proj. Engineer E.M.B. Date: 12/22/21 Sheet No. <b>13</b>
<b>SALEM, CT 06420</b> <b>496 NEW LONDON ROAD</b> <b>(CT Route 85)</b> <b>SITE DETAILS</b>		Revision Log: 3 2/22/23 P&Z REVIEW COMMENTS 1 11/14/22 REVIEW COMMENTS 1 9/13/22 UNCLAS HEALTH COMMENTS No. DATE REVISION



LOT 1  
AREA=± 35.0 ACRES  
OR 1,526,862.7 S.F.

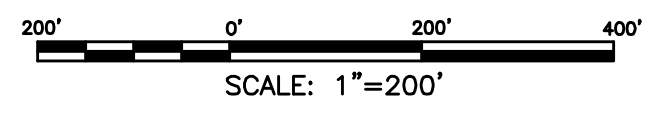
LOT 2  
AREA=± 18.8 ACRES  
OR 817,045.8 S.F.

ABUTTER TABLE

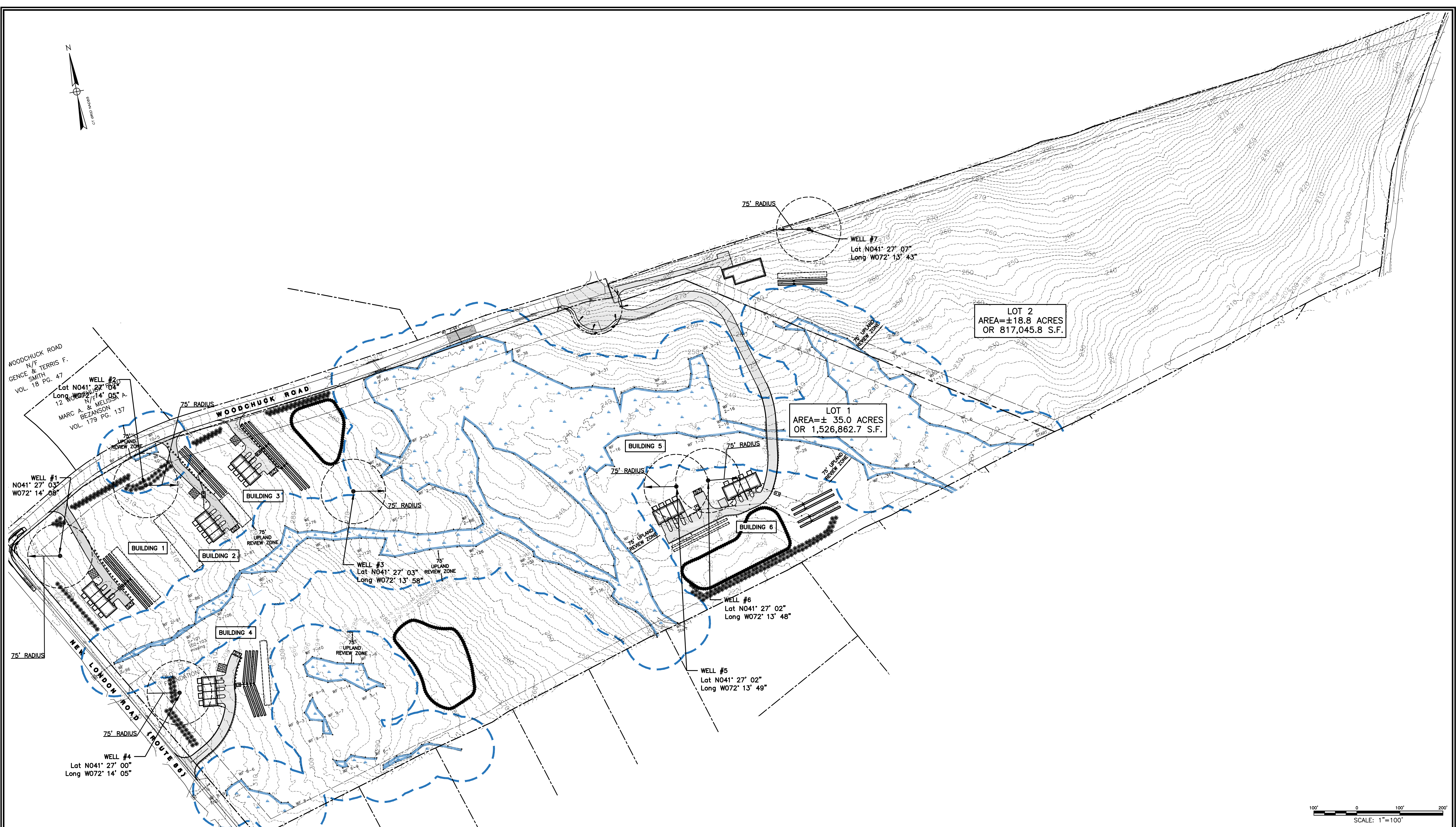
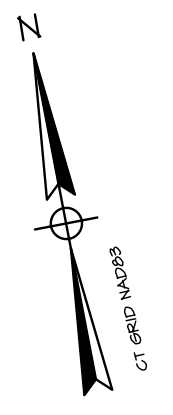
LETTER DESIGNATION	ADDRESS	OWNER	VOL. / PG.
(A)	4 VALLEY DRIVE	DAVID & JACQUELINE RITCHIE	236 / 55
(B)	10 VALLEY DRIVE	CHRISTINA LYNN	231 / 284
(C)	18 VALLEY DRIVE	ROBERT J. & ATHENA SARTORI	126 / 610
(D)	26 VALLEY DRIVE	ROBERT & KAREN CULLINEN	125 / 06
(E)	34 VALLEY DRIVE	ROBERT E. JR. & MARTHA L. GIEGEL	183 / 252
(F)	40 VALLEY DRIVE	TIMOTHY W. & KAREN FRICK	82 / 531
(G)	62 VALLEY DRIVE	KEVIN A. CAREY	182 / 604
(H)	70 VALLEY DRIVE	MARK R. NELSON	233 / 30
(I)	82 VALLEY DRIVE	JAMES R. III & KRISTI L. MORRISON	249 / 166
(J)	90 VALLEY DRIVE	JASON S. MACKLIN & KIM M. HARGRAVE	247 / 655
(K)	92 VALLEY DRIVE	DEBORAH A. & DANIEL E. SHEEHAN	252 / 478

LEGEND:

- PROPERTY LINE
- - - CHAIN-LINK FENCE
- ~ ~ ~ RETAINING WALL
- WETLANDS EDGE
- ○ ○ ○ ○ STONE WALL
- BOUNDARY POINT
- IRON PIN, IRON PIPE
- CHD, MON MONUMENT
- ⊗ GAS GATE, WATER GATE
- TRAFFIC SIGN
- SEWER MANHOLE
- UTILITY POLE
- N/F NOW OR FORMERLY
- U.G. UNDER GROUND
- DECIDUOUS TREE
- OH OVERHEAD ELECTRIC LINE
- WATER SHUTOFF
- BOLLARD
- SHRUB
- WETLANDS VEGETATION, FLAG



		<b>CLA Engineers, Inc.</b> CIVIL • STRUCTURAL • SURVEYING	
		317 Main Street Norwich, CT 06360 (860) 886-1966 Fax (860) 886-9165	
No.	DATE	REVISION	
2	10/2/23	REVISED SUBDIVISION	
1	3/08/23	P&Z REVIEW COMMENTS	
SUMMARY MAP			Project No. CLA-7048
496 NEW LONDON ROAD			Proj. Surveyor R.J.C.
TOWN OF SALEM, CONNECTICUT			Date: 07/13/22
			Sheet No. <b>14</b>



WOODCHUCK ROAD  
N/F  
GENGE & TERRIS F.  
SMITH  
VOL. 18 PG. 47

WELL #2  
Lat N041° 27' 04"  
Long W072° 14' 05"  
12 W072° 14' 05" A.  
MARC A. & MELISSA  
BEZANSON  
VOL. 179 PG. 137

WELL #1  
NO41° 27' 03"  
W072° 14' 08"

WELL #3  
Lat N041° 27' 03"  
Long W072° 13' 58"

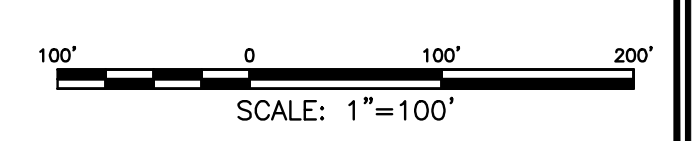
WELL #4  
Lat N041° 27' 00"  
Long W072° 14' 05"

LOT 1  
AREA=± 35.0 ACRES  
OR 1,526,862.7 S.F.

LOT 2  
AREA=± 18.8 ACRES  
OR 817,045.8 S.F.

WELL #6  
Lat N041° 27' 02"  
Long W072° 13' 48"

WELL #5  
Lat N041° 27' 02"  
Long W072° 13' 49"



4	10/10/23	REVISED INTERSECTION
3	10/2/23	REVISED SUBDIVISION
2	7/12/23	REVIEW COMMENTS
1	5/30/23	PUBLIC HEARING COMMENTS
No.	DATE	REVISION

**CLA Engineers, Inc.**  
CIVIL • STRUCTURAL • SURVEYING

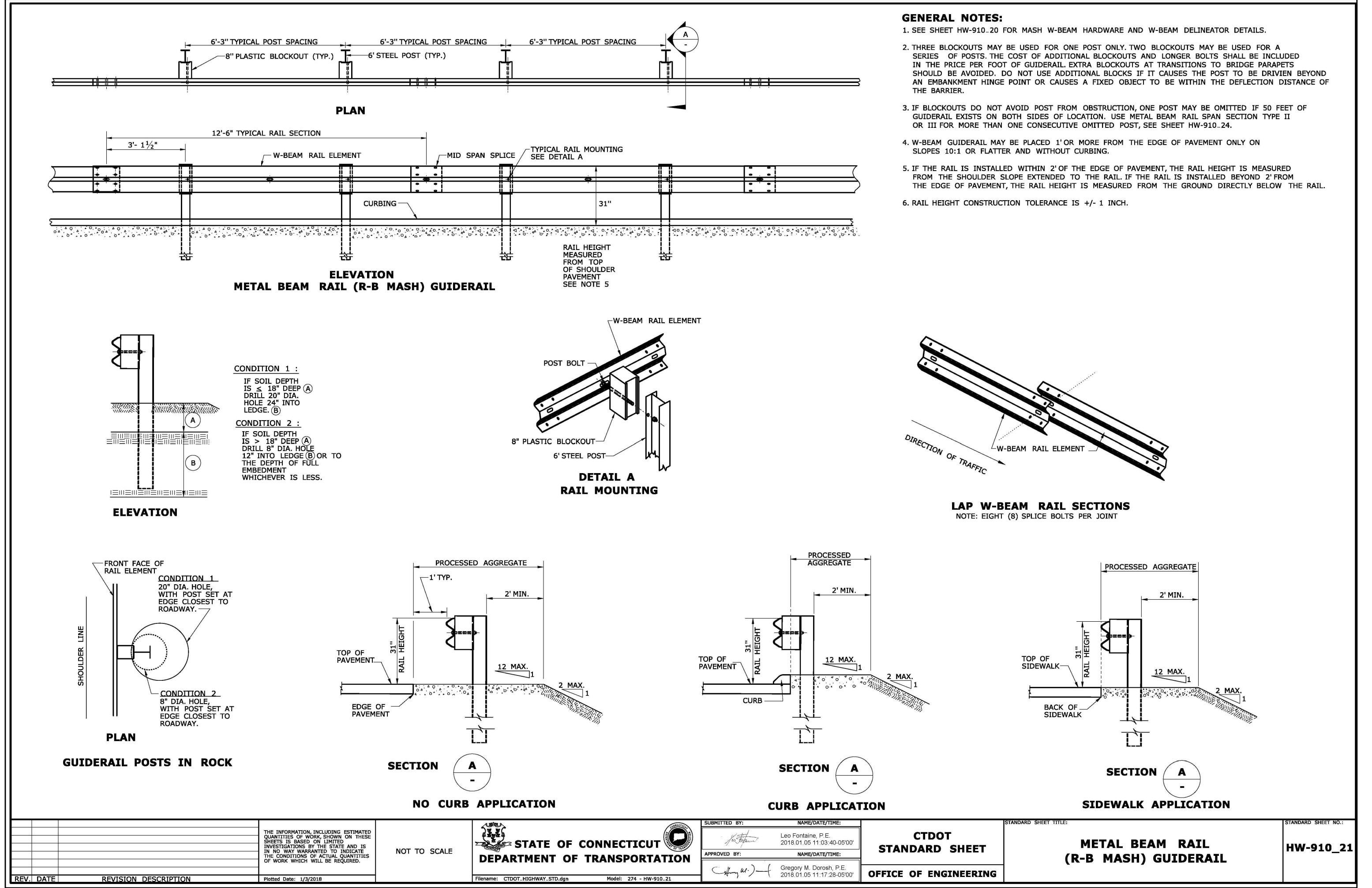
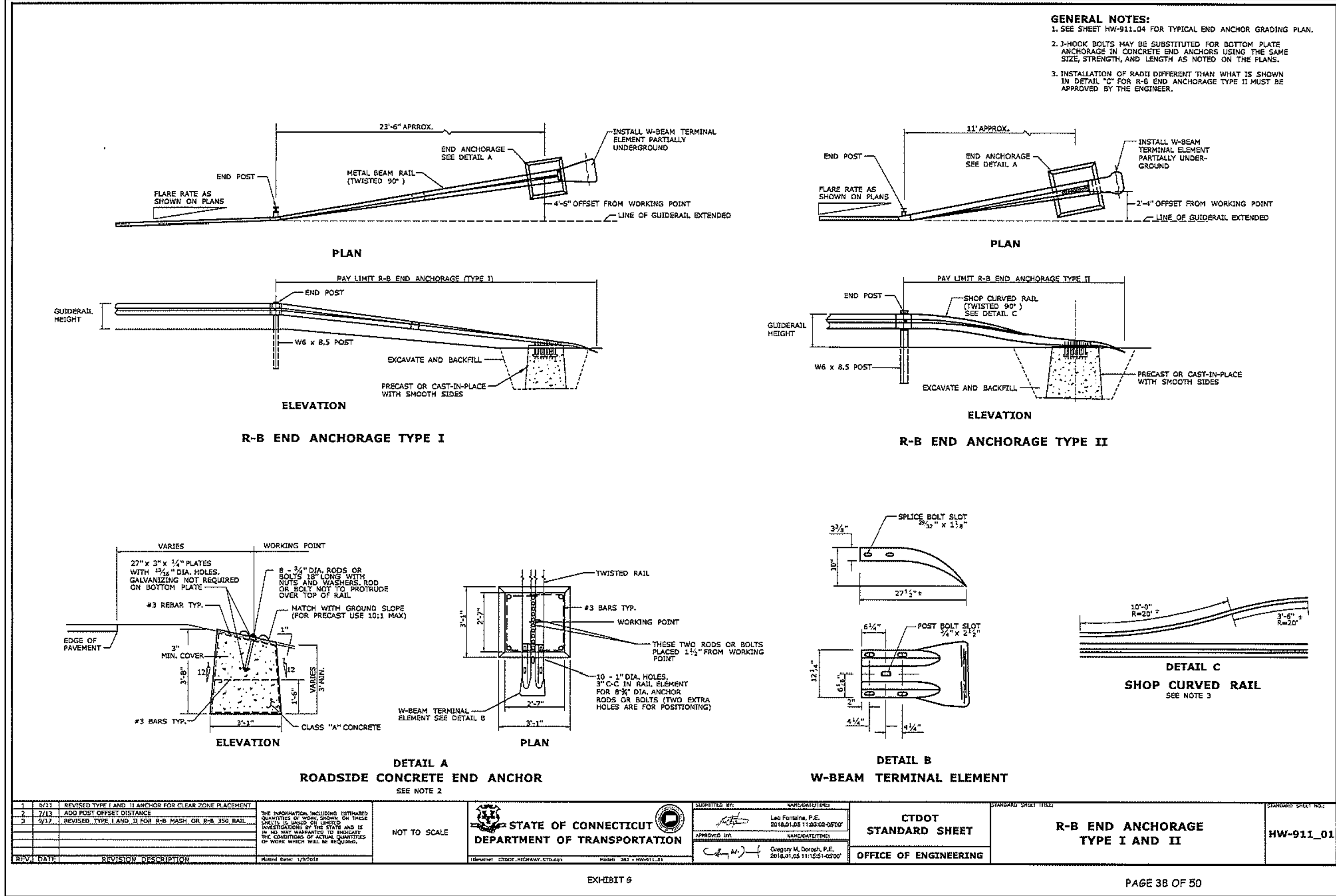
317 Main Street Norwich, CT 06360  
(860) 886-1966 Fax (860) 886-9165

SALEM, CT 06420		Project No. CLA-7048
496 NEW LONDON ROAD (CT Route 85)		Proj. Engineer E.M.B.
		Date: 3/15/23
WELL PLAN		Sheet No. <b>15</b>



M:\000\000\7048 496 New London Rd - Plans - V12.dwg, 11/14/2023 11:08:55 AM, DWG To PDF.pc3





**CLA Engineers, Inc.**  
Civil • Structural • Surveying

317 Main Street Norwich, CT 06360  
(860) 886-1966 Fax (860) 886-9165

No.	DATE	REVISION

Project No. CLA-7048  
Proj. Engineer E.M.B.  
Date: 12/22/21  
Sheet No. 16

SALEM, CT 06420

**496 NEW LONDON ROAD  
(CT Route 85)**

METAL BEAM RAIL DETAILS

M:\000\000\0048-496 New London Rd - Plans - V12.dwg, 11/14/2023 11:10:11 AM, DWG To PDF.pc3